

DETAIL OF JOINT FILLER IN EXPANSION JOINT

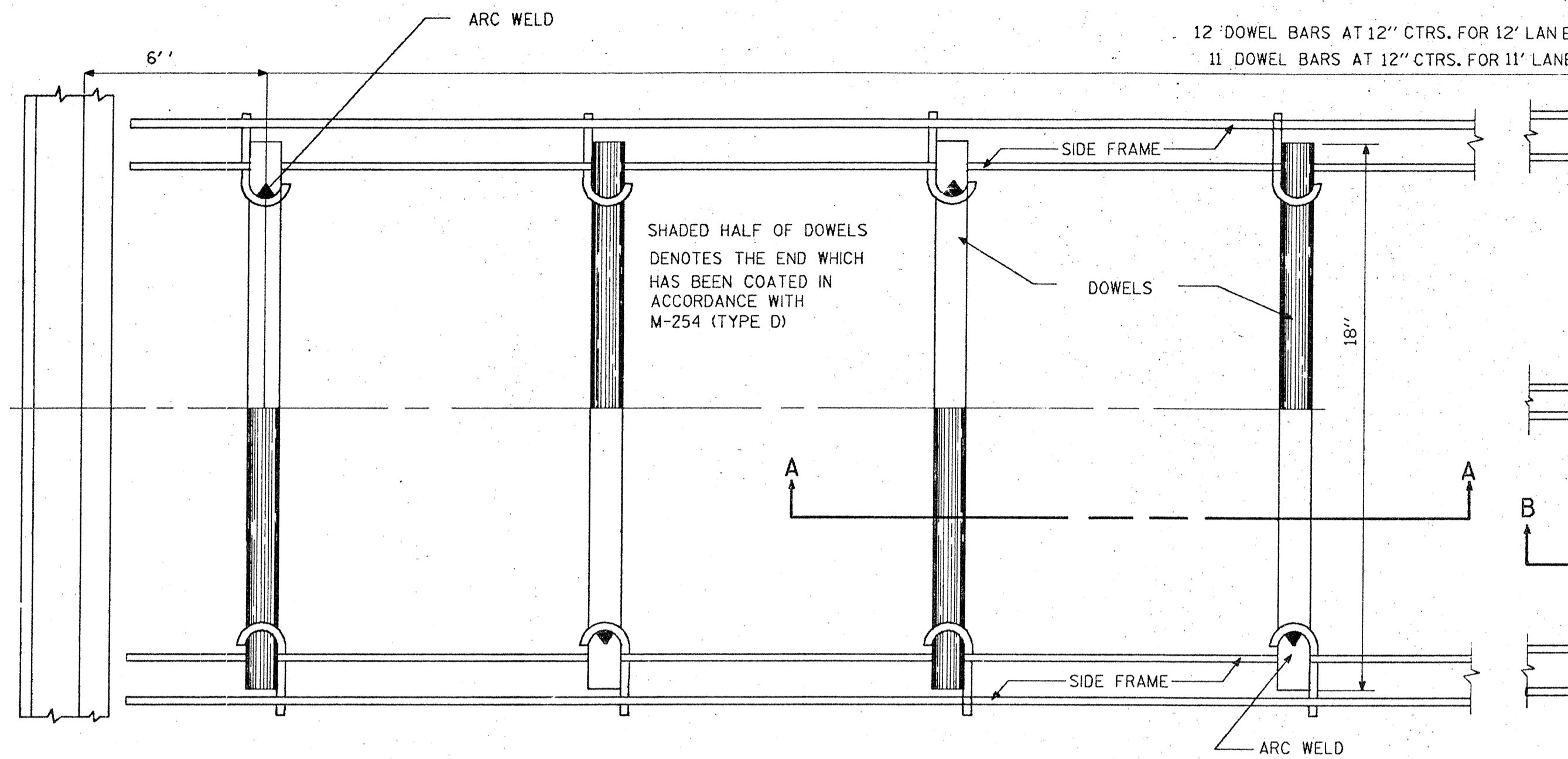
LOAD TRANSFER UNIT

LENGTH OF UNIT AND NUMBER OF DOWELS FOR VARIOUS LANE WIDTHS

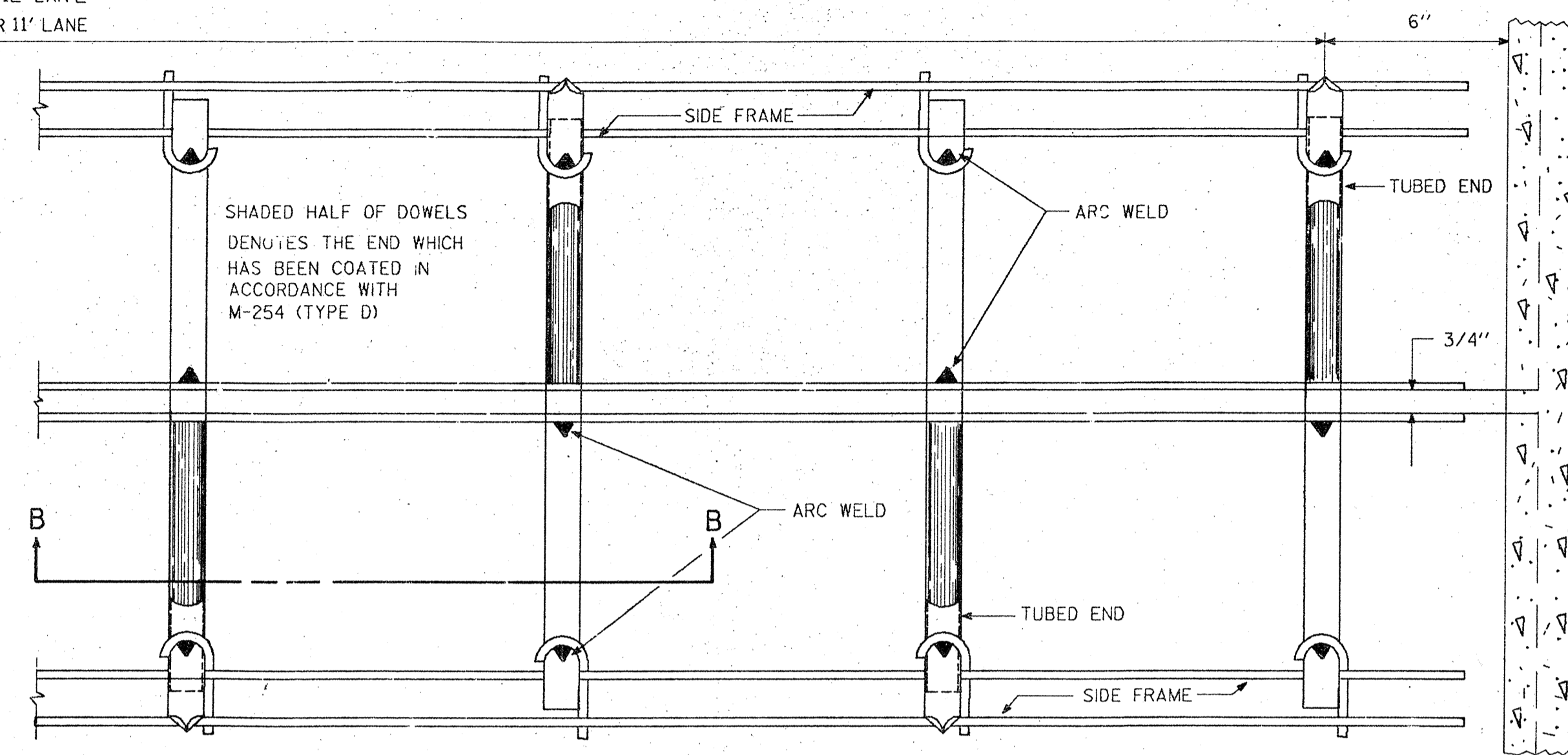
LANE WIDTH	OVERALL LENGTH	NO. OF DOWELS
11'-0"	10'-9"	11
12'-0"	11'-9"	12

GENERAL NOTES

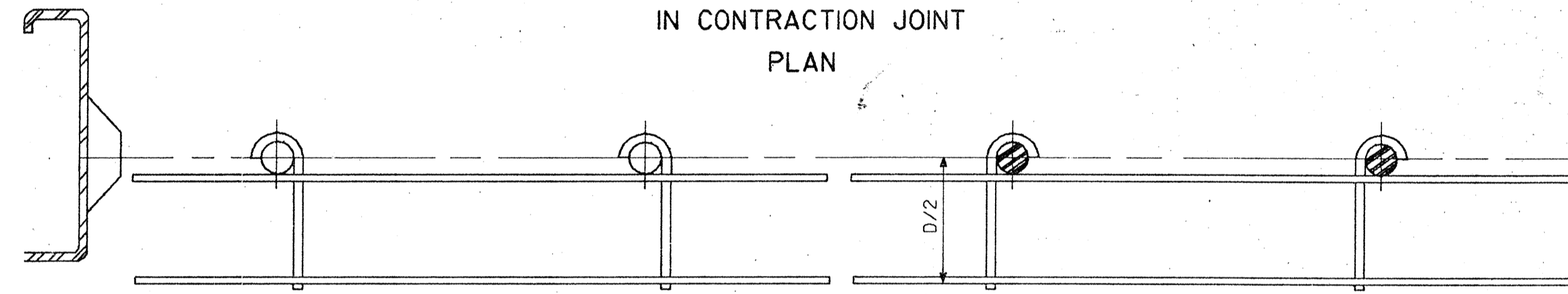
MATERIALS FOR SIDE FRAMES AND CENTER SUPPORT SHALL MEET THE REQUIREMENTS OF AASHTO M-31 ALTERNATE FRAME DESIGN MAY BE APPROVED BY THE ENGINEER. DOWELL BAR DIAMETER SIZES ARE EXCLUSIVE OF COATINGS. ALL DIMENSIONS SUBJECT TO MANUFACTURING TOLERANCES.



IN CONTRACTION JOINT PLAN

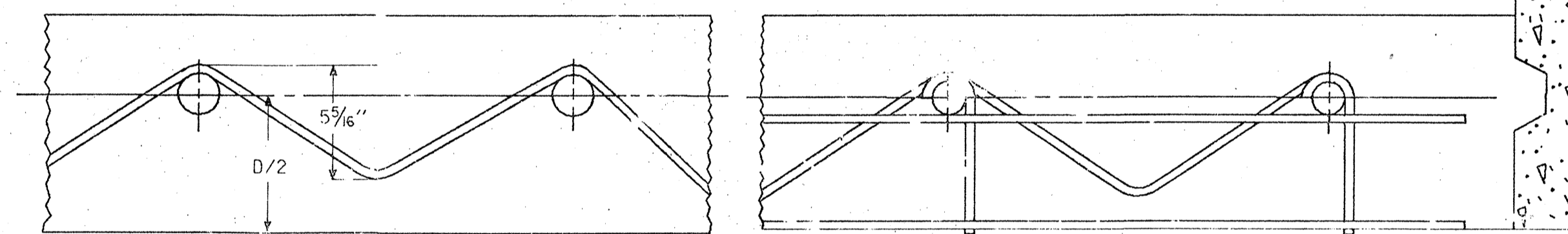


IN EXPANSION JOINT PLAN



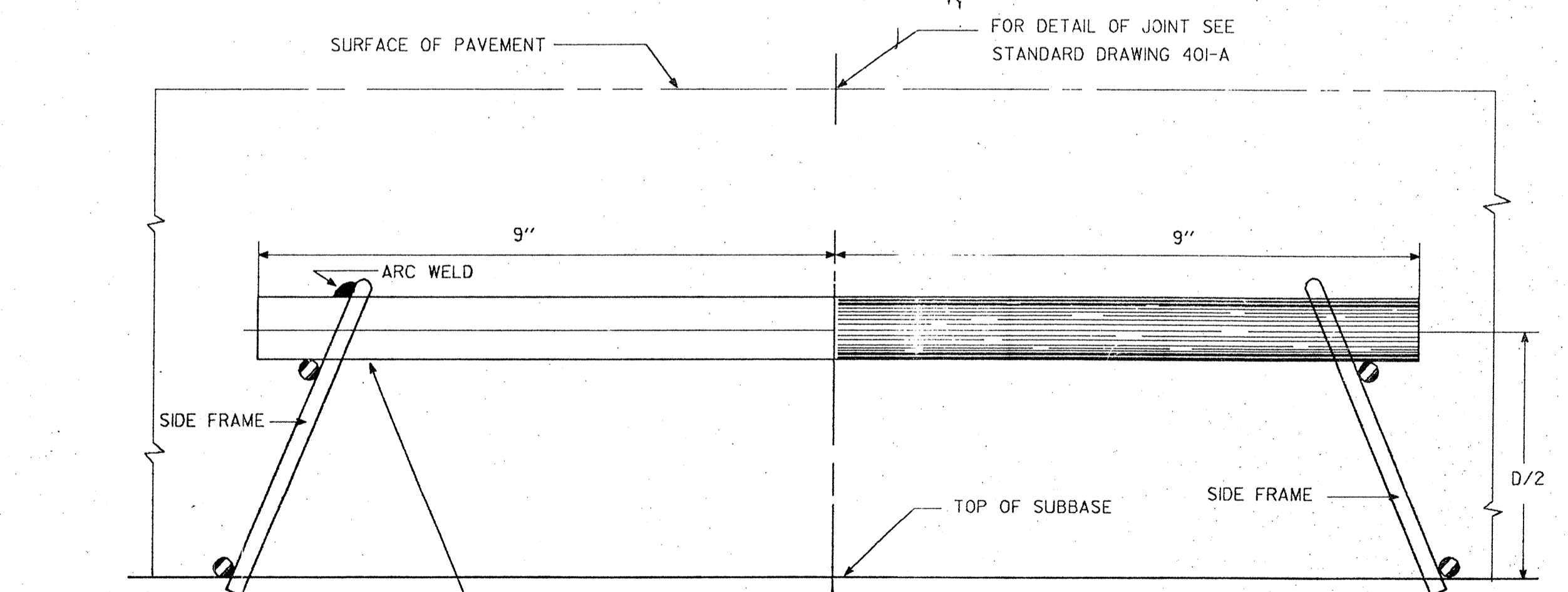
SIDE VIEW

SECTION A-A

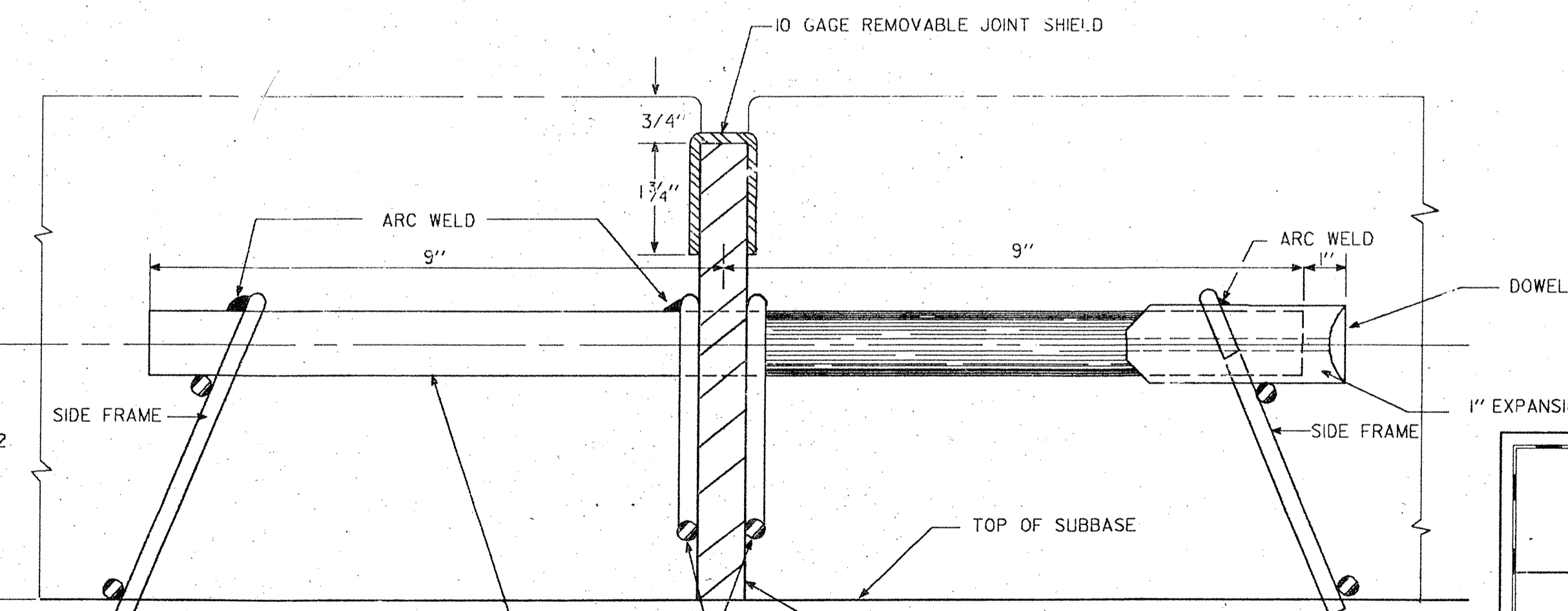


SECTION B-B

SIDE VIEW



HALF SIZE SECTION THRU UNIT IN CONTRACTION



HALF SIZE SECTION THRU UNIT IN EXPANSION JOINT

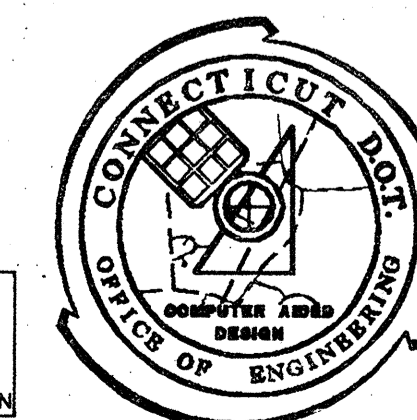
1" DIA. DOWEL BARS 18" LONG FOR 8" PAV'T.  
 1 1/8" DIA. DOWEL BARS 18" LONG FOR 9" PAV'T.  
 1 1/4" DIA. DOWEL BARS 18" LONG FOR 10" PAV'T.

1" DIA. DOWEL BARS 18" LONG FOR 8" PAV'T.  
 1 1/8" DIA. DOWEL BARS 18" LONG FOR 9" PAV'T.  
 1 1/4" DIA. DOWEL BARS 18" LONG FOR 10" PAV'T.

ALL SIDE FRAMES AND CENTER SUPPORTS TO BE OF 1 GAGE WIRE OR 5/16" BARS THROUGHOUT

DETAILS OF LOAD TRANSFER UNIT TYPE "B"

MANUAL REVISIONS TO THIS DOCUMENT ARE PROHIBITED. ALL REVISIONS MUST BE PERFORMED ON CADD FILE: 05A24200\_200140E.DGN



STANDARD SHEET CONN. DEPT. OF TRANSPORTATION		
LOAD TRANSFER UNIT TYPE "B" FOR REINFORCED CONCRETE PAVEMENT		
D = DEPTH OF PAVEMENT		
REVISIONS		
NO.	DATE	DESCRIPTION
Designed by: R.F. FELIX		Date: 12-81
Drafted by: R.N. BAROUTJAN		Date: 2-25-88
Reviewed by: T. MANNION		Date: 1-3-89
Approval: [Signature]		Date: 1-22-89
F.H.W.A. Approval: [Signature]		Date: 4-25-89
		Date: 9/10/90
Scale: NOT TO SCALE		STANDARD NUMBER
		401-E