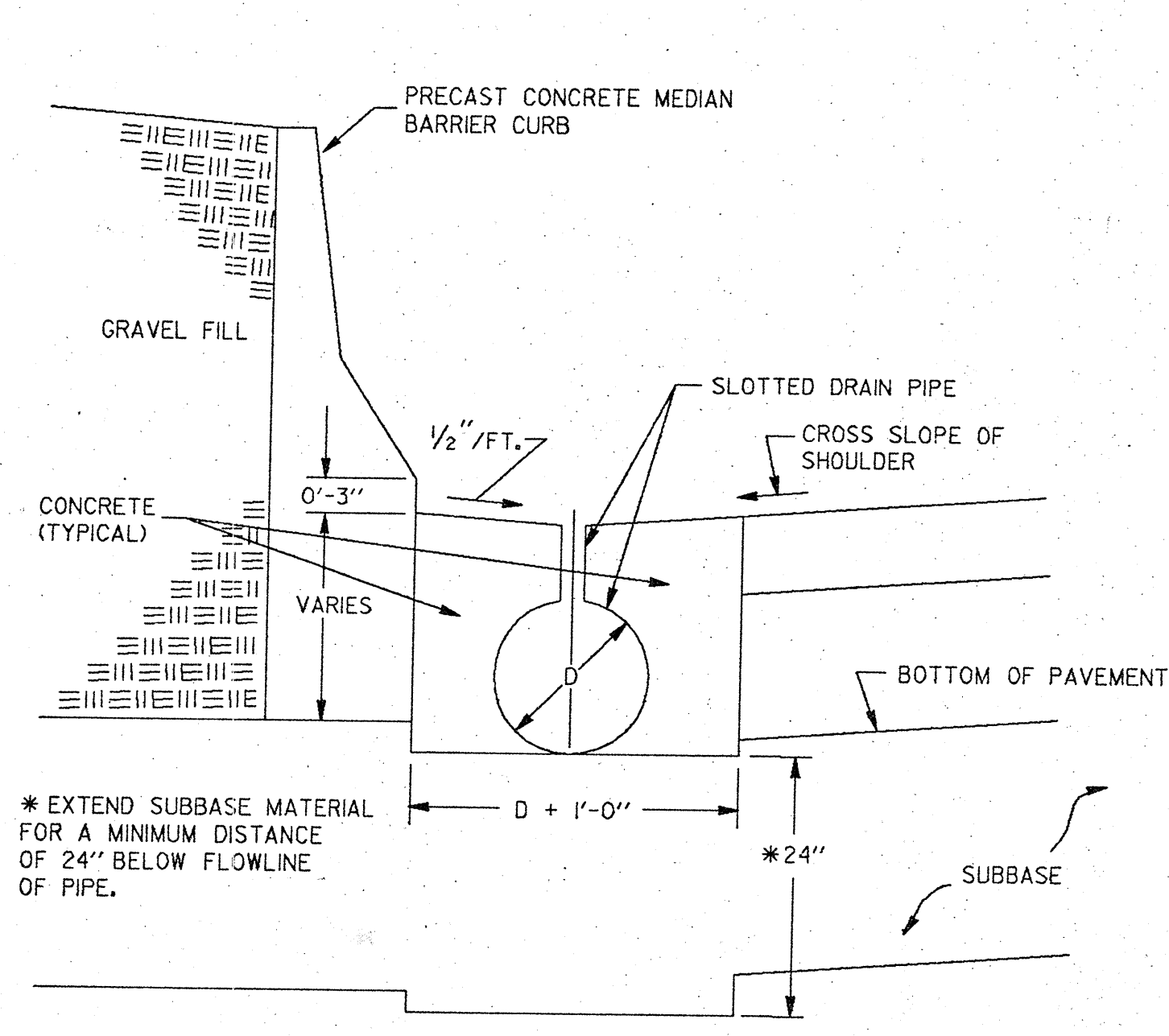
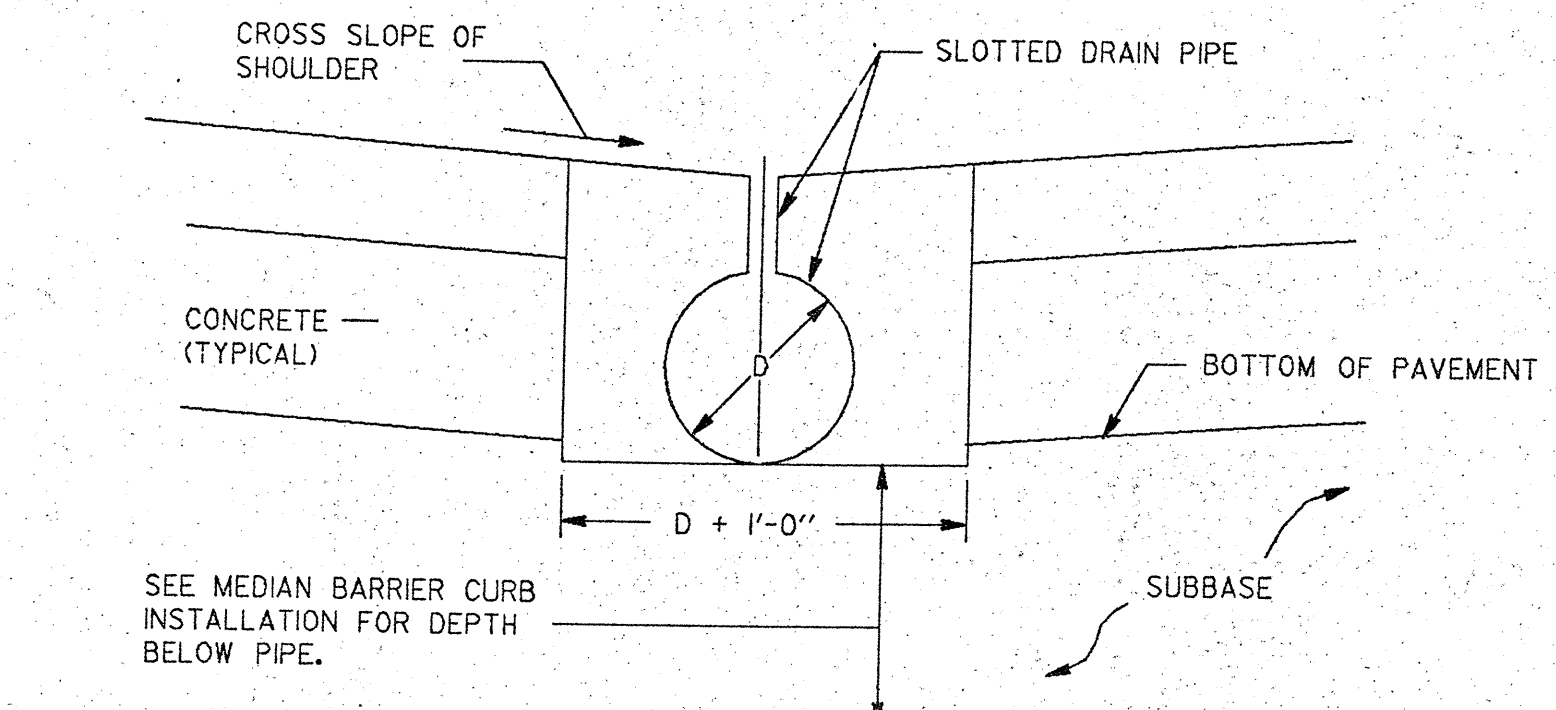


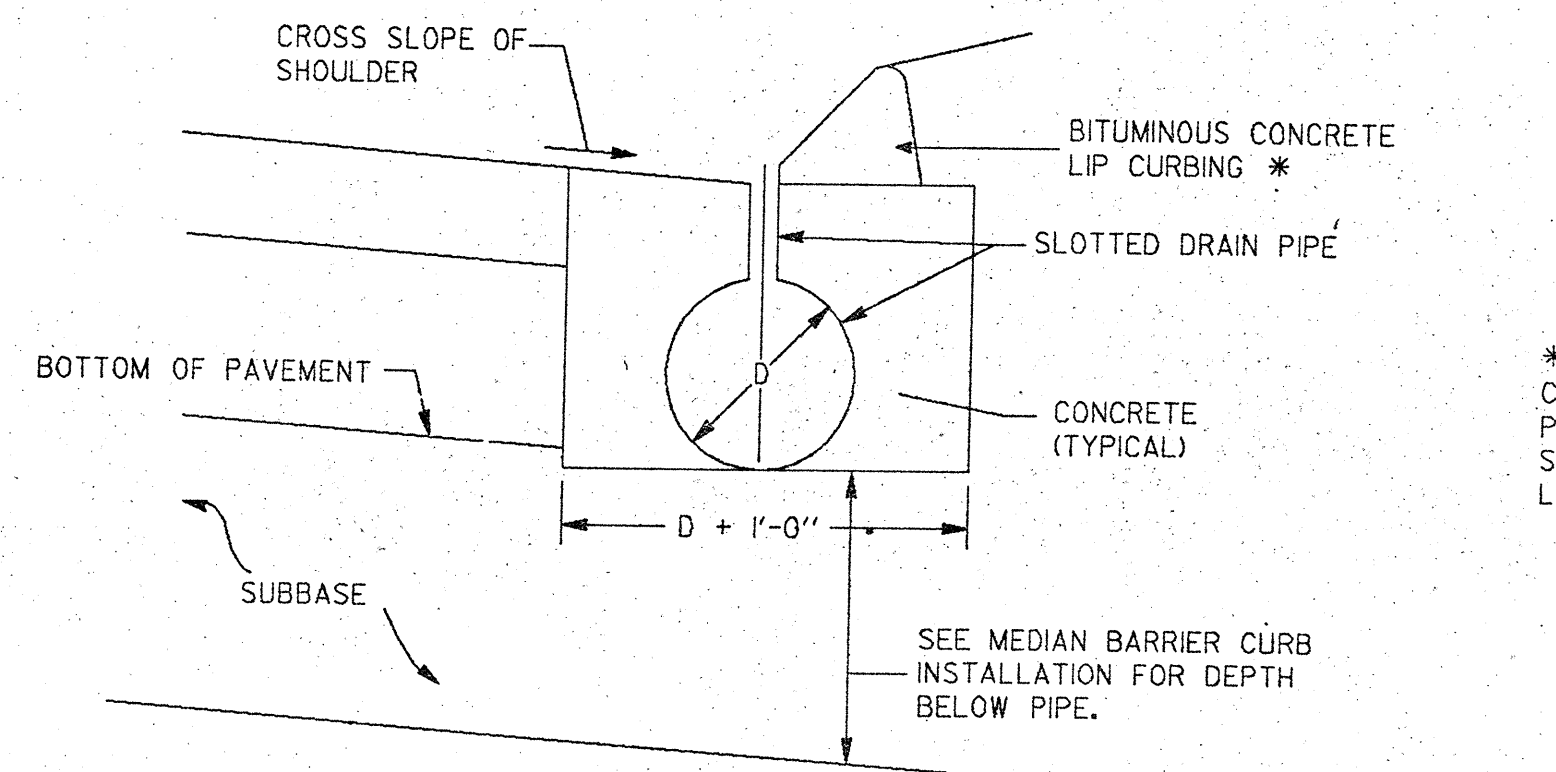
F.H.W.A. REGION NO.	STATE	TOWN	FED. AID PROJ. NO.	PROJ. NO.	YEAR	ROUTE NO.	SHEET NO.	TOTAL SHEETS
1	CONN.							



MEDIAN BARRIER CURB INSTALLATION

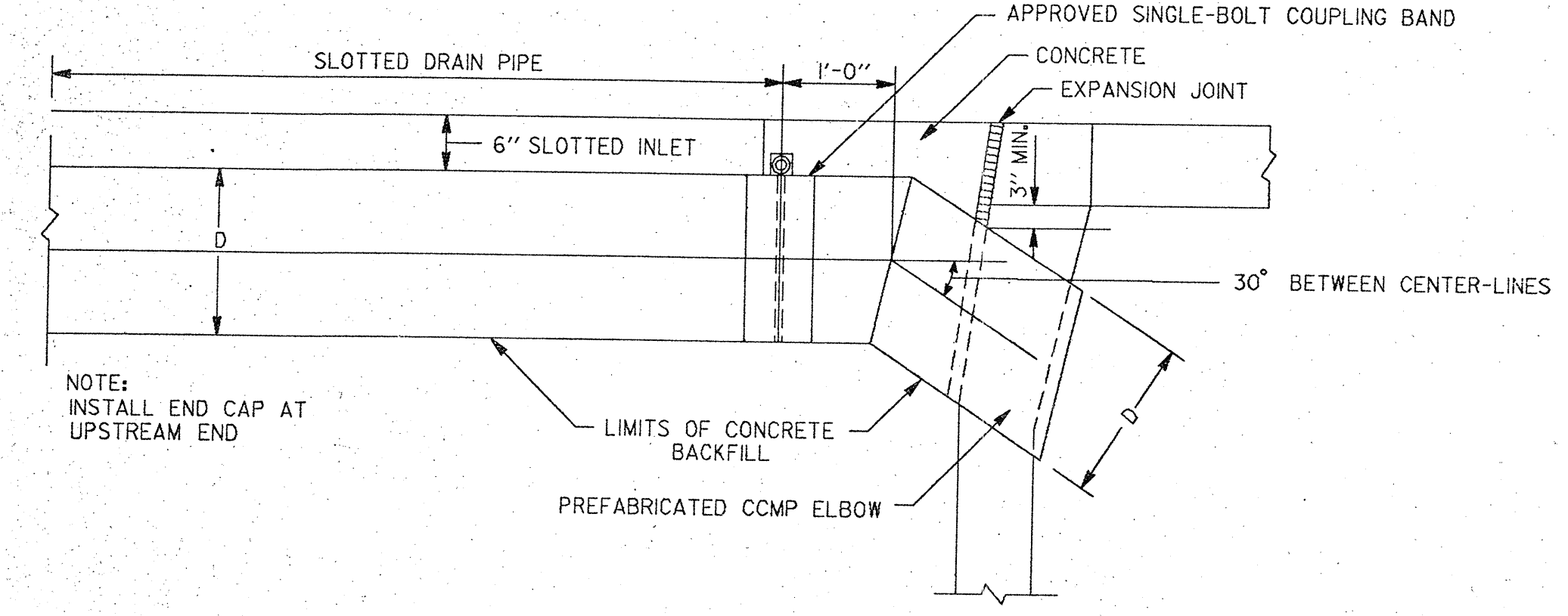


SEPARATOR INSTALLATION

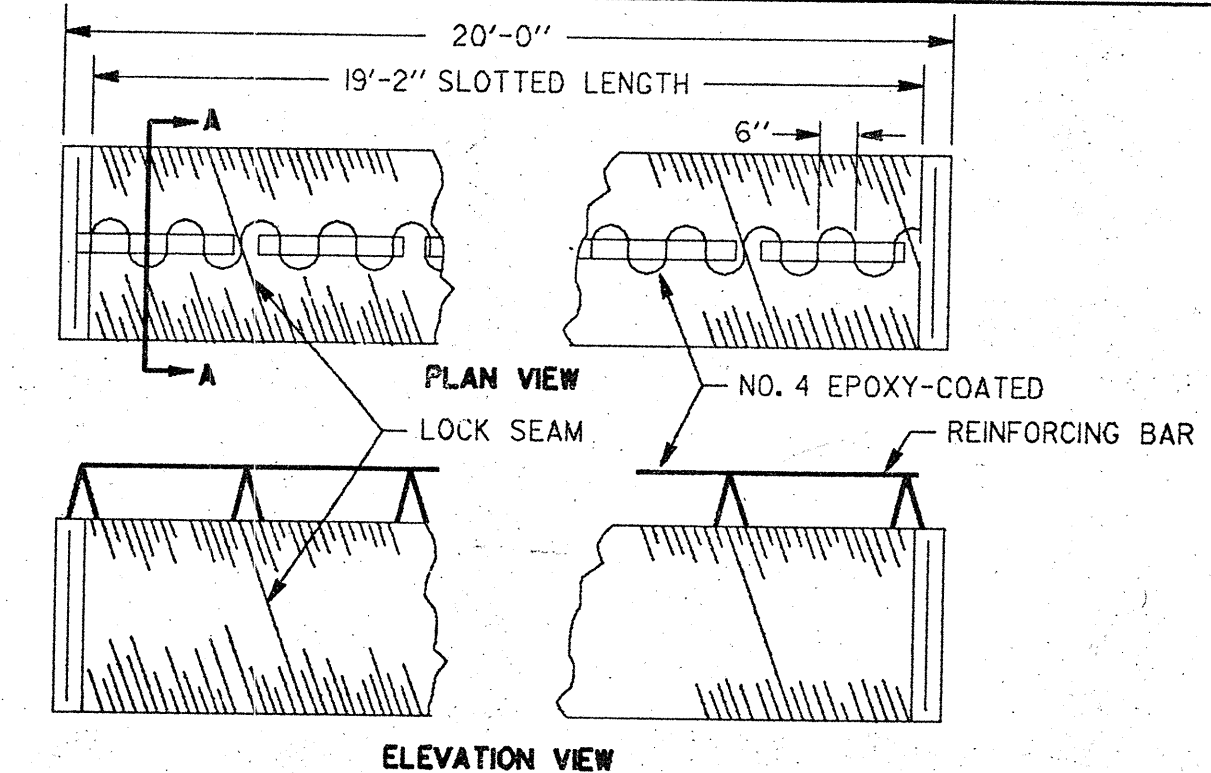


CURB INSTALLATION

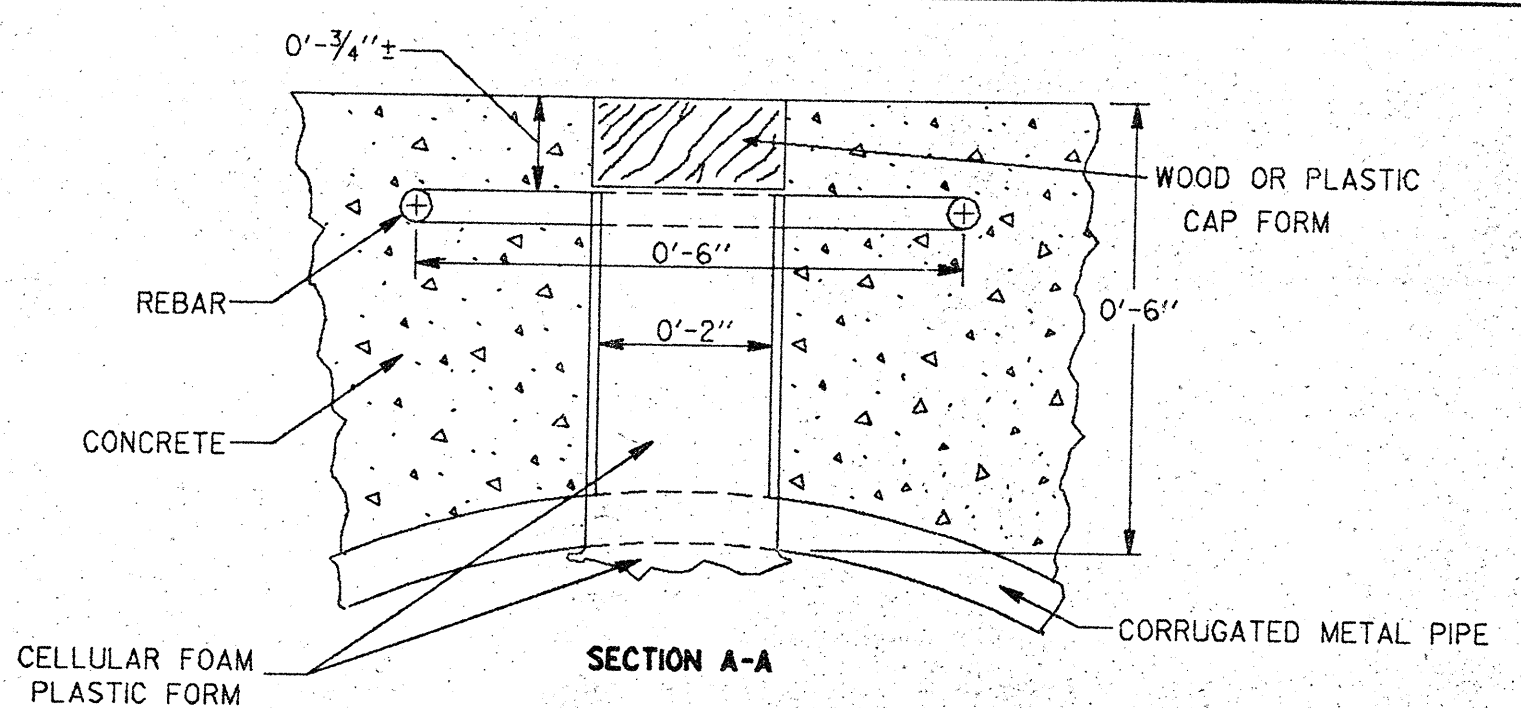
* WHERE GRANITE OR CONCRETE CURBING IS USED, SLOTTED DRAIN PIPE WILL BE INSTALLED AS SHOWN AT MEDIAN BARRIER LOCATIONS.



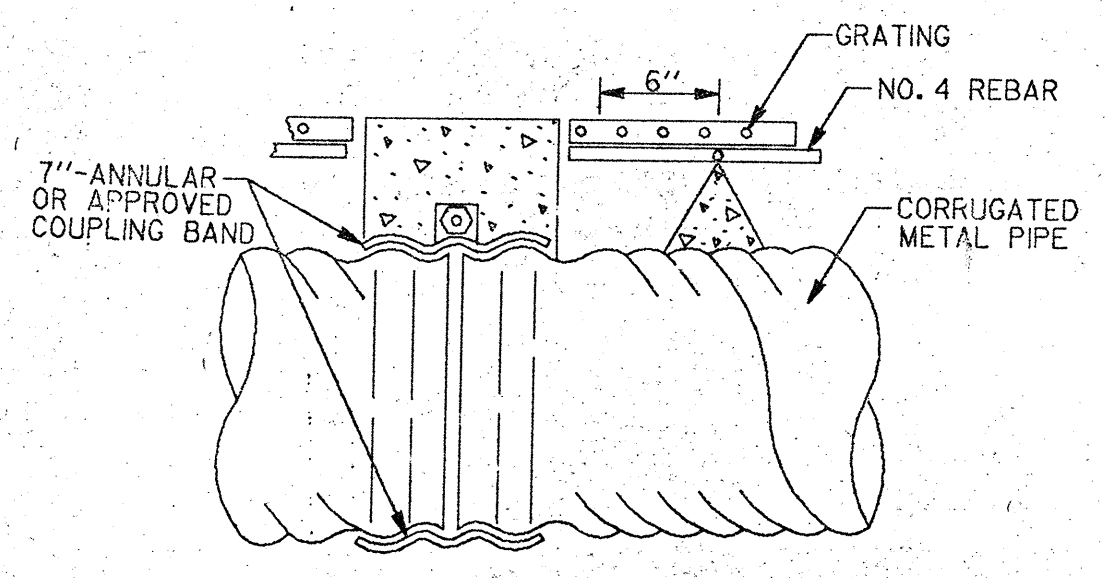
CONNECTION TO DRAINAGE STRUCTURE



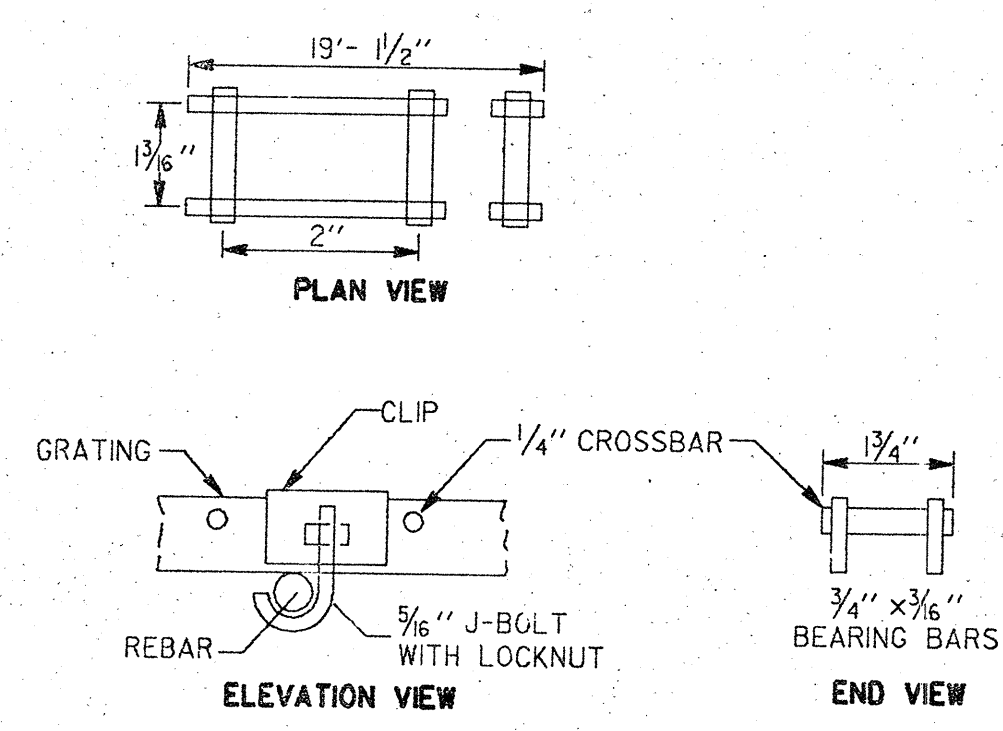
TYPICAL PIPE SEGMENT



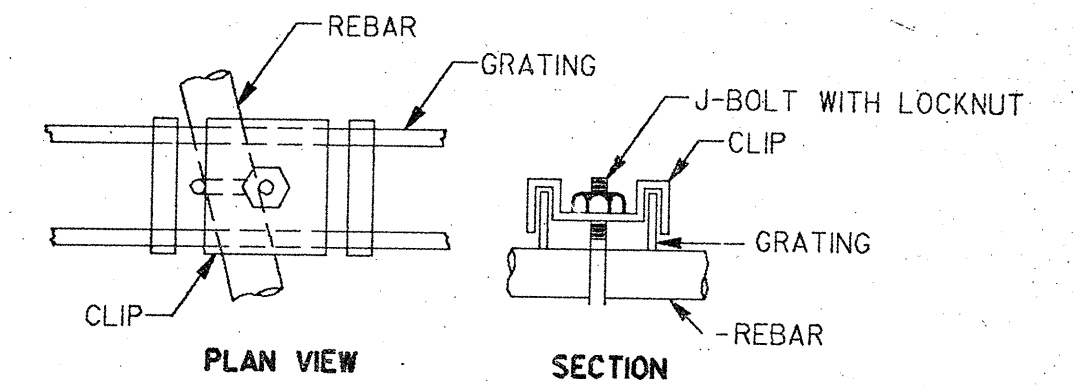
SECTION A-A



CONNECTION DETAIL

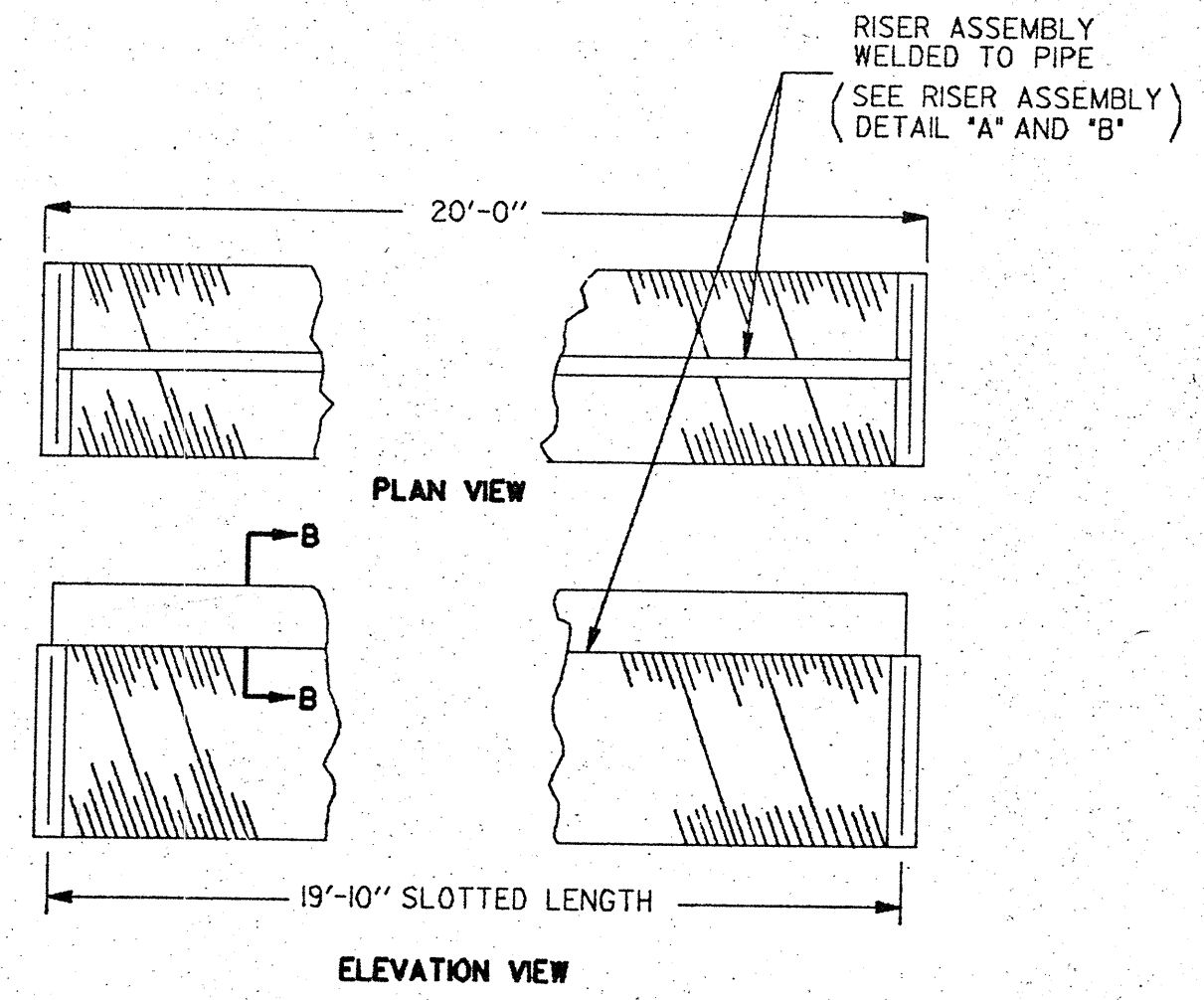


GRATING DETAILS

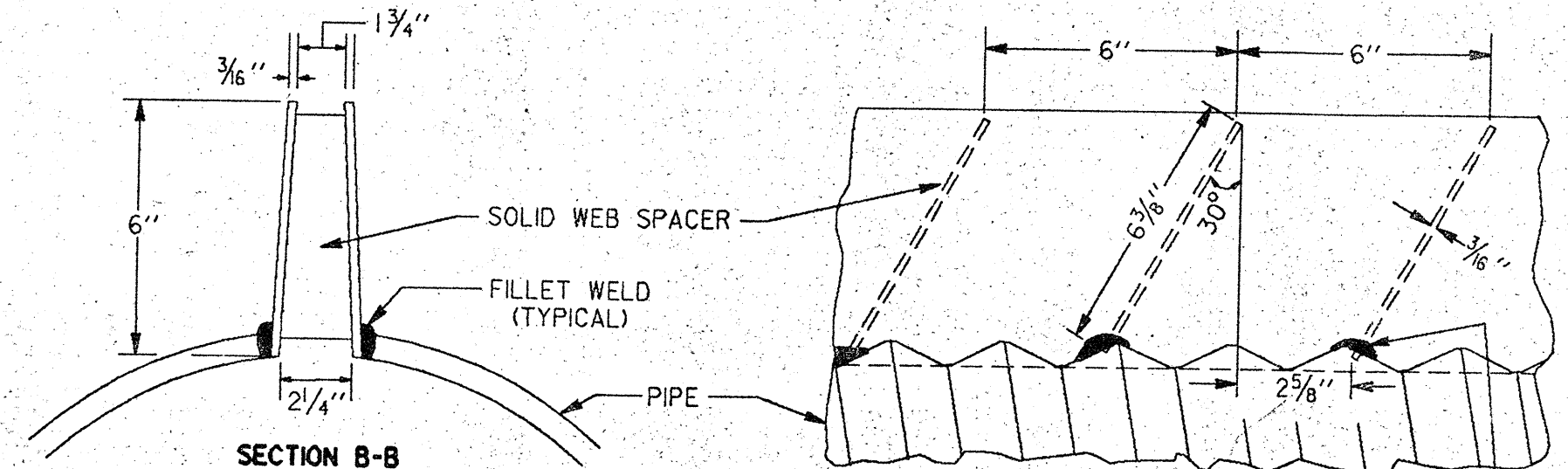


GRATING TO REBAR CONNECTION DETAILS

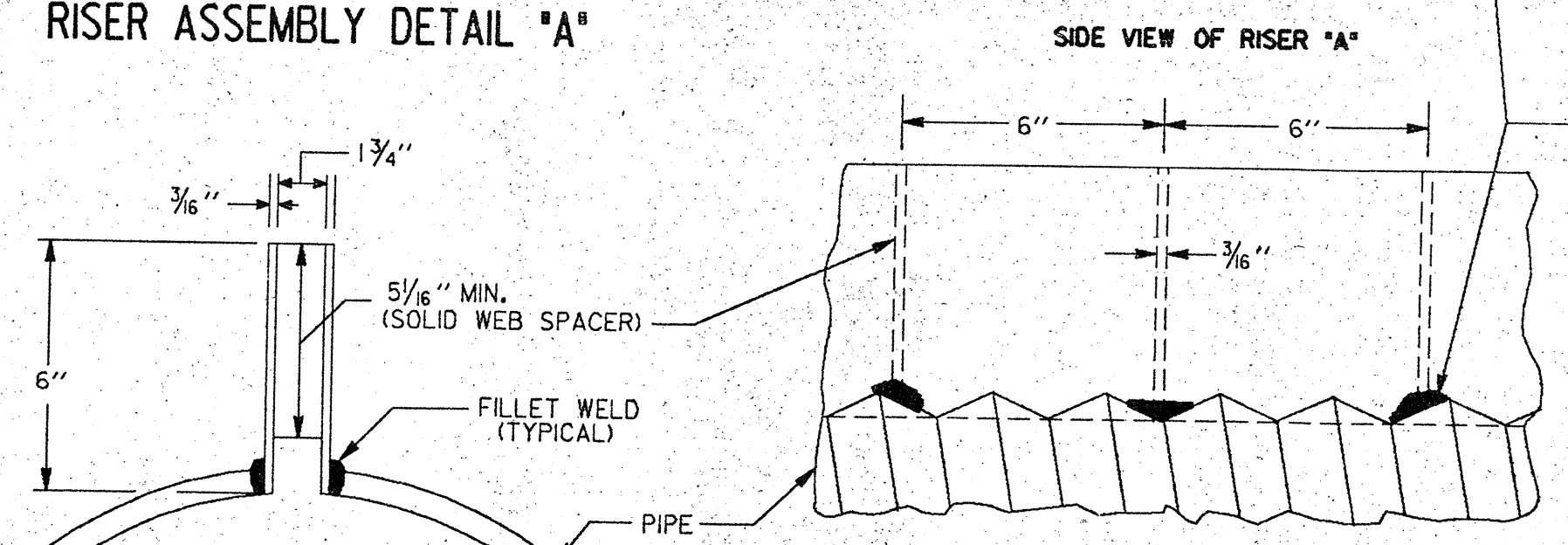
CONTINUOUS GRATING TYPE



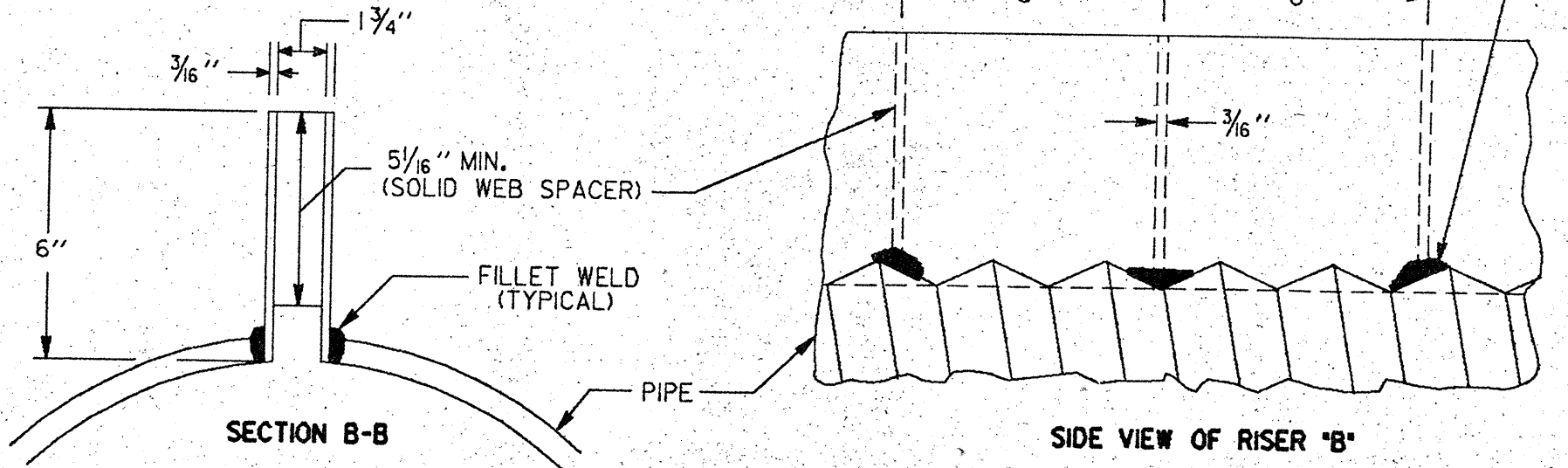
TYPICAL PIPE SEGMENT



SECTION B-B RISER ASSEMBLY DETAIL 'A'

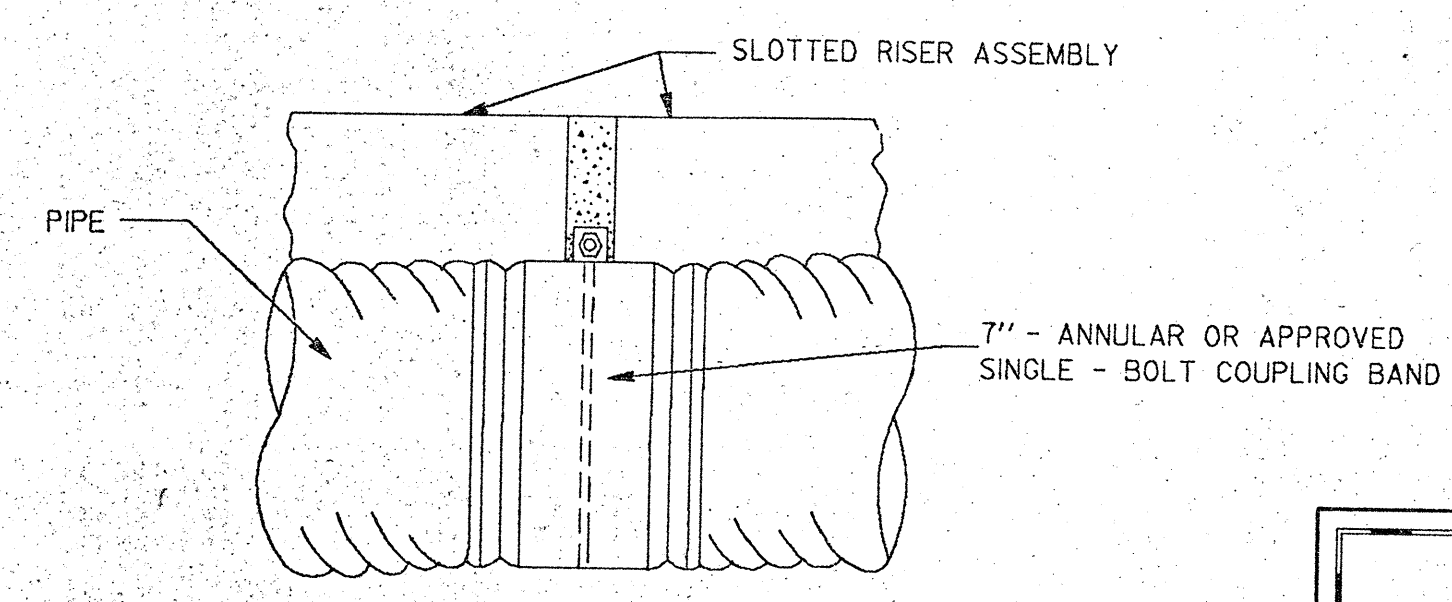


SIDE VIEW OF RISER 'A'



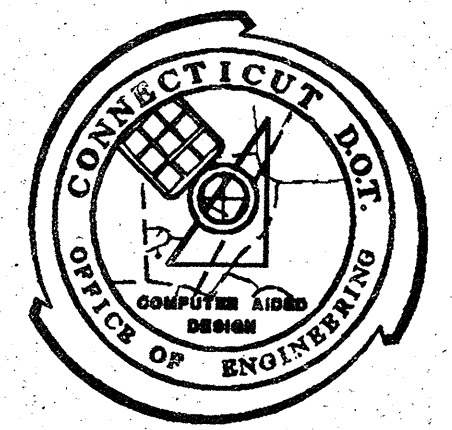
SECTION B-B RISER ASSEMBLY DETAIL 'B'

BAR RISER AND SPACER TYPE



CONNECTION DETAIL

MANUAL REVISIONS TO THIS DOCUMENT ARE PROHIBITED. ALL REVISIONS MUST BE PERFORMED ON CADD FILE: 05A24200_20036518.DGN



STANDARD SHEET		CONN. DEPT. OF TRANSPORTATION	
SLOTTED DRAIN PIPE		(12"-15"-18"-24"-30")	
REVISIONS			
NO.	DATE	DESCRIPTION	
Designed by: W. DEAN		Date: JAN. 85	
Drafted by: M. JYLKKA		Date: JULY 89	
Reviewed by: T. McMAHON		Date: JULY 89	
Approval Rec: J. JENSEN		Date: JULY 89	
Approved: [Signature]		Date: 7-9 89	
F.H.W.A. Approval: [Signature]		Date: 12/3/90	
Scale: NOT TO SCALE			STANDARD NUMBER
			651-B