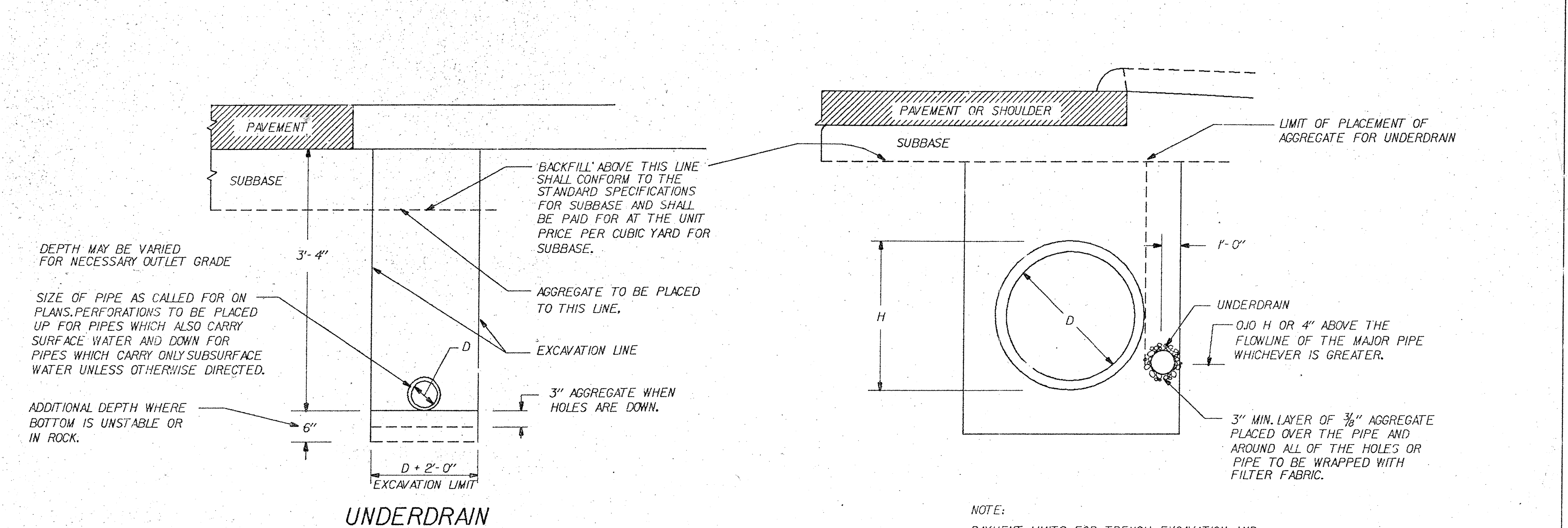
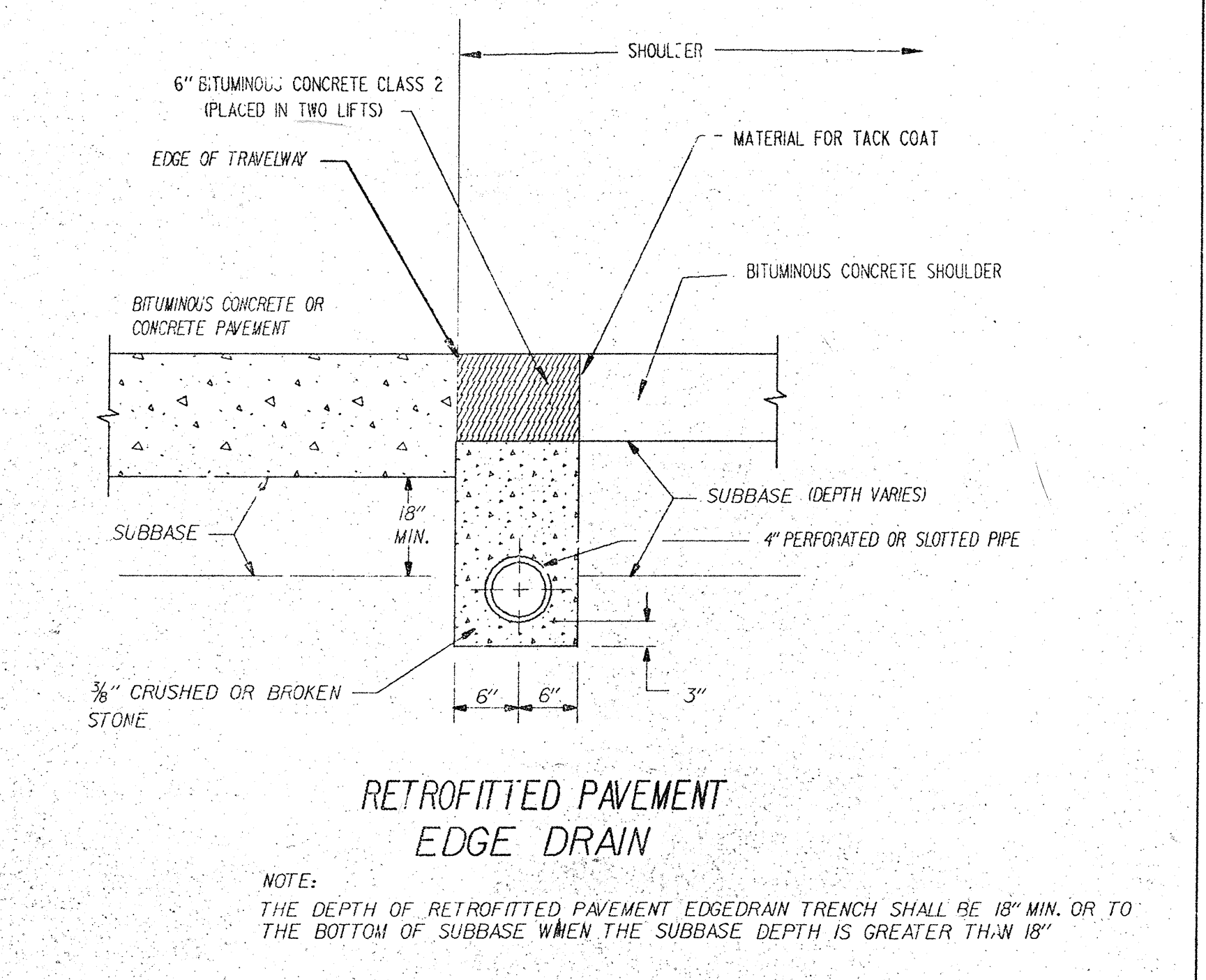


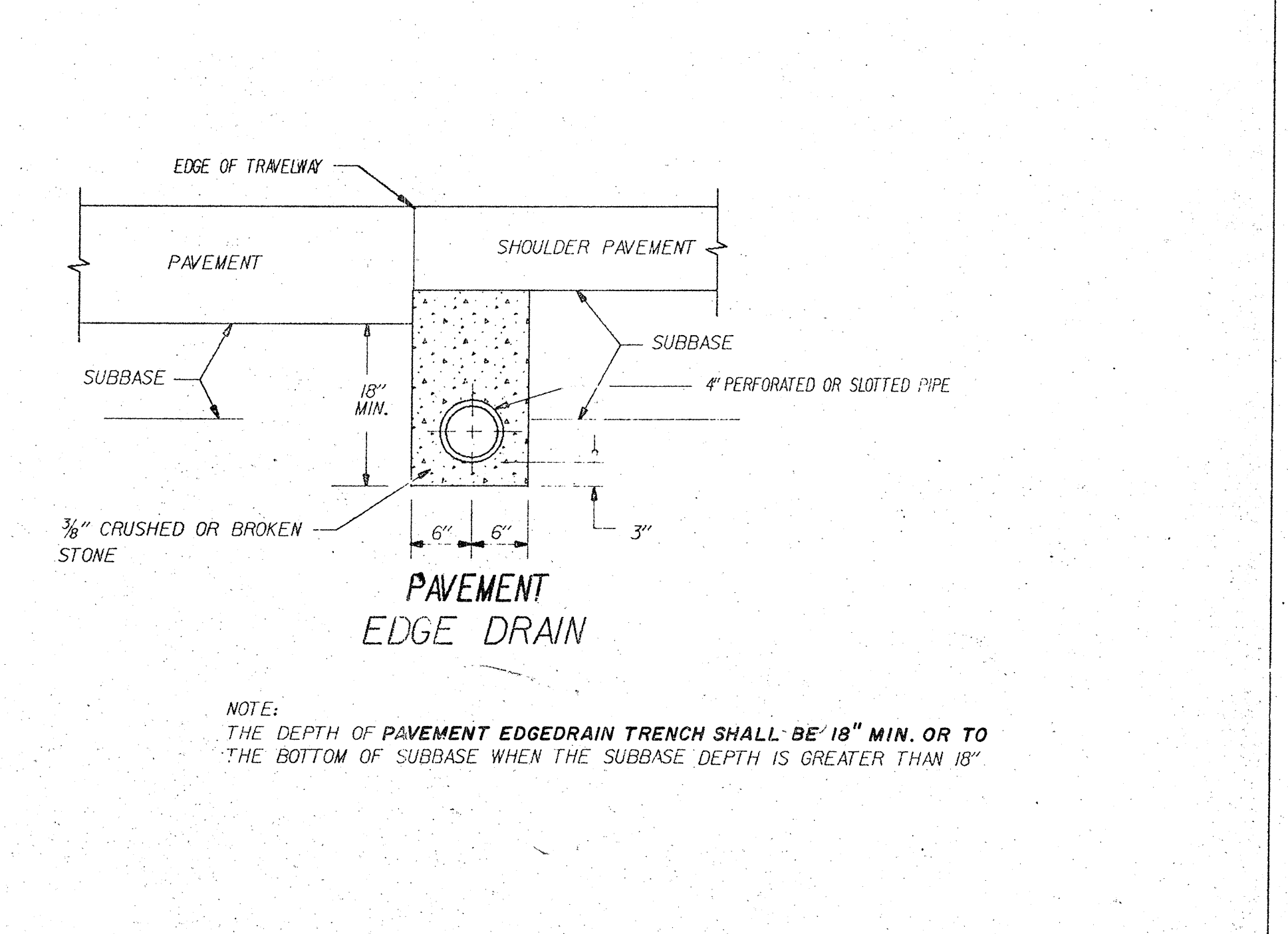
PAVEMENT EDGEDRAIN AND UNDERDRAIN OUTLET DETAILS



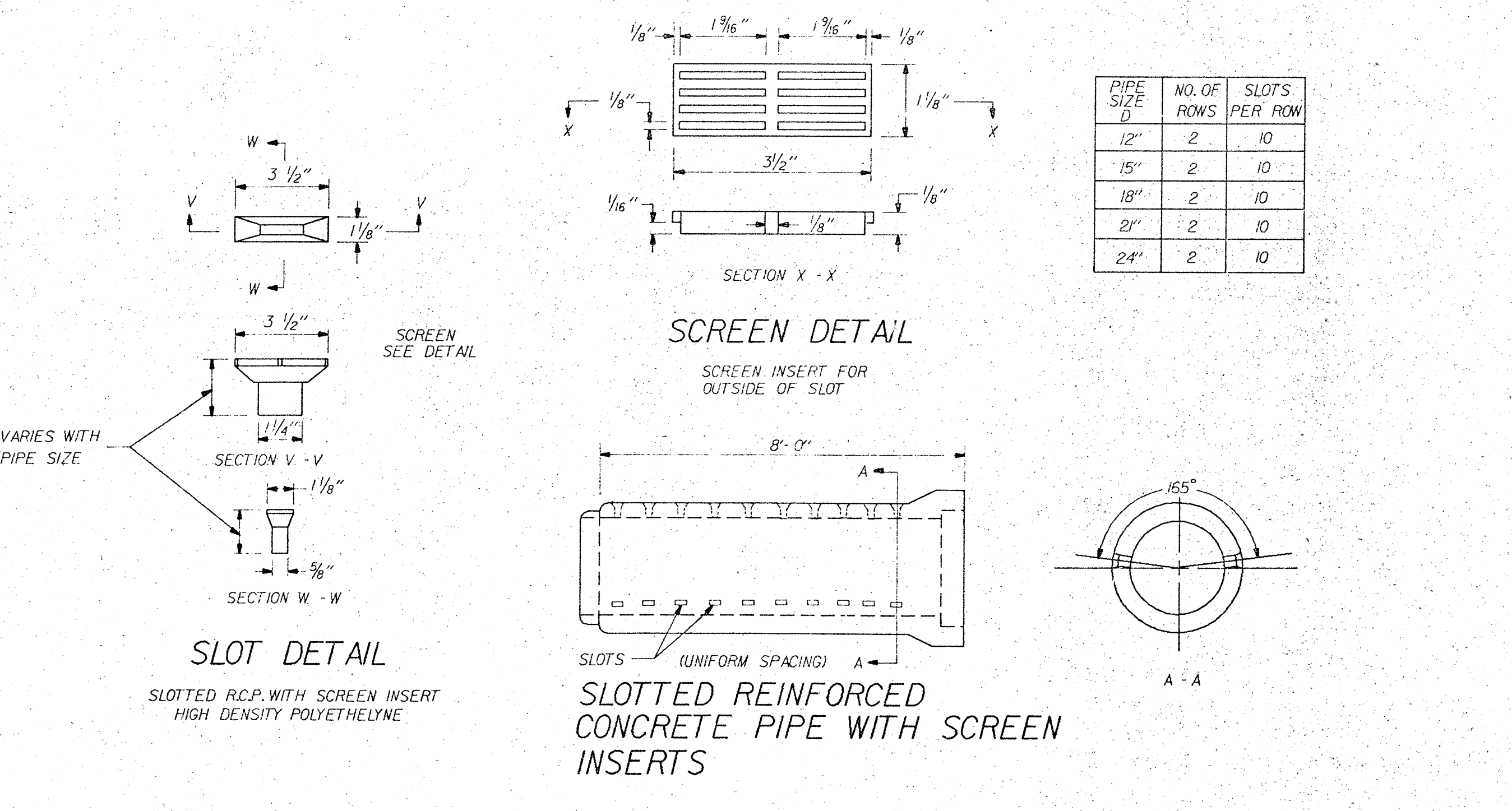
CULVERT AND PIPE UNDERDRAIN IN THE SAME TRENCH



RETROFITTED PAVEMENT EDGE DRAIN



PAVEMENT EDGE DRAIN



SLOTTED REINFORCED CONCRETE PIPE WITH SCREEN INSERTS

MANUAL REVISIONS TO THIS DOCUMENT ARE PROHIBITED. ALL REVISIONS MUST BE PERFORMED ON CADD FILE: 05A21200.20017518.DGN



STANDARD SHEET
CONN. DEPT. OF TRANSPORTATION

UNDERDRAINS AND OUTLETS
PAVEMENT EDGE DRAIN

| REVISIONS | | DESIGNED BY: SPECIAL STUDIES DATE: 11/90 |
|-----------|------|---|
| NO. | DATE | |
| | | DRAWN BY: M. RYAN DATE: 1/91 |
| | | REVIEWED BY: J. McMAHON DATE: 3/91 |
| | | APPROVED BY: J. OSBORN DATE: 4/91 |
| | | APPROVED: [Signature] DATE: 4-91 |
| | | F.H.W.A. APPROVAL: [Signature] DATE: 8-26-91 |

Scale: NOT TO SCALE

STANDARD NUMBER
751-B