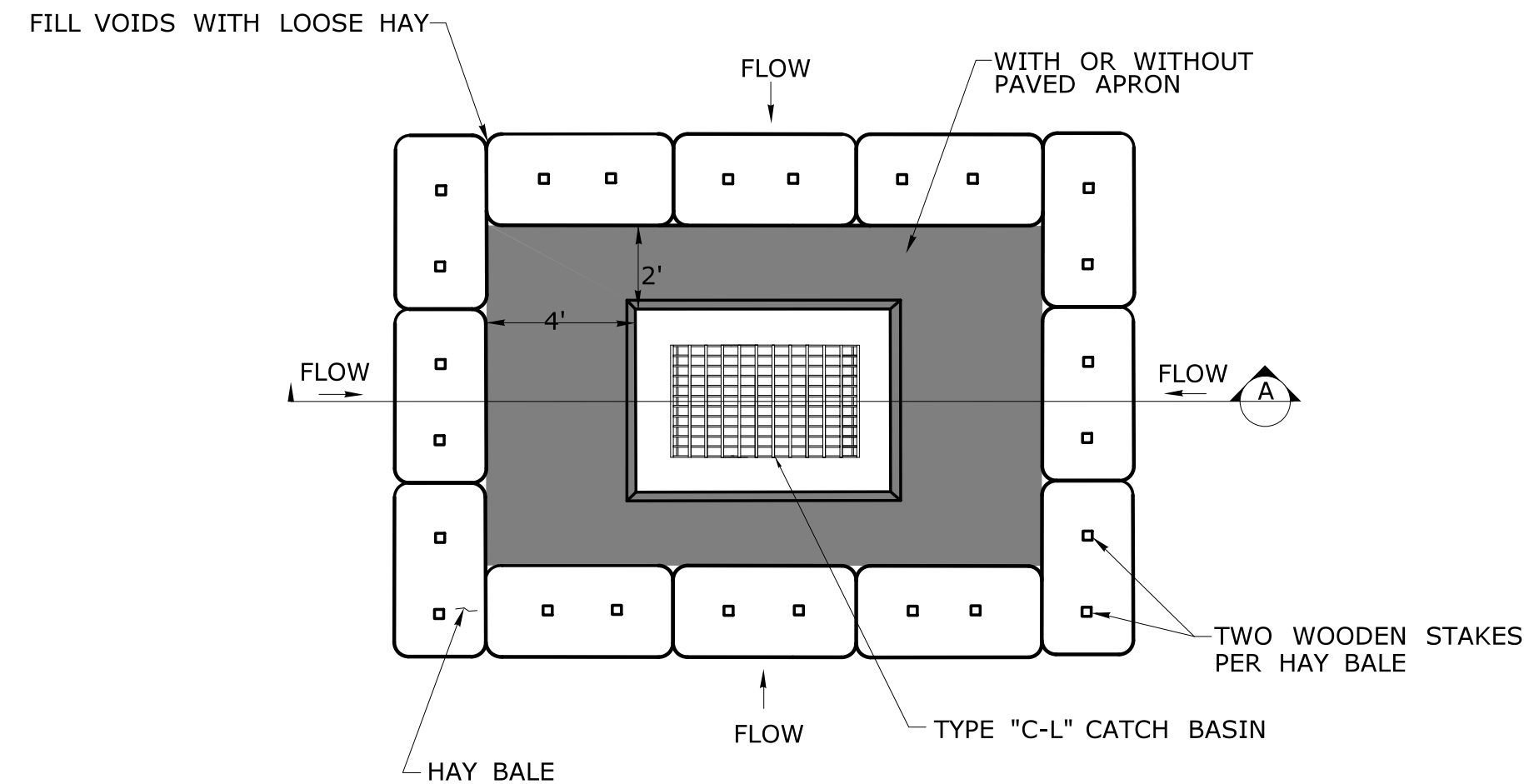
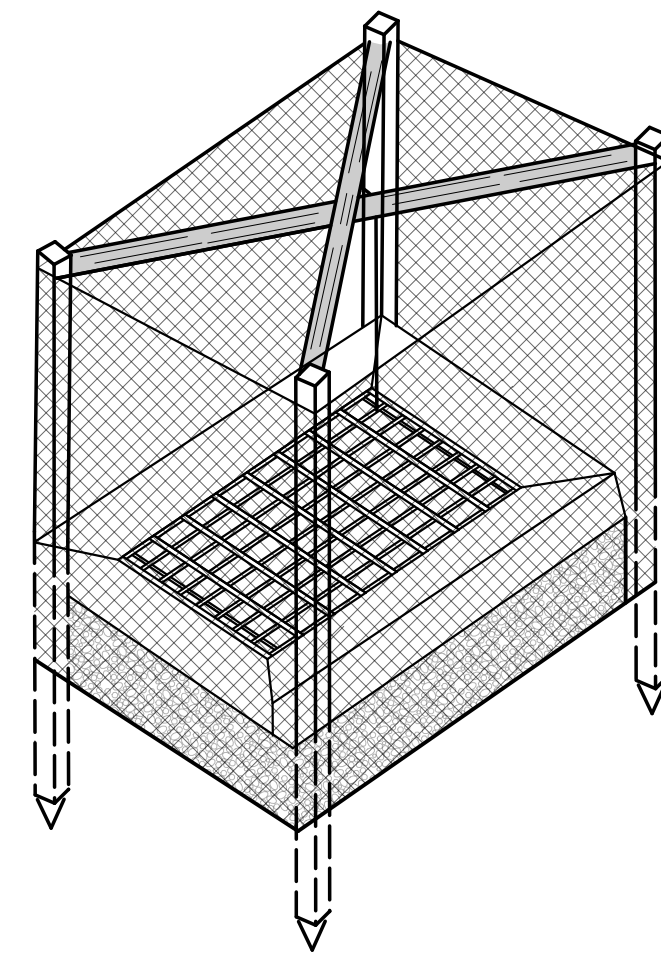
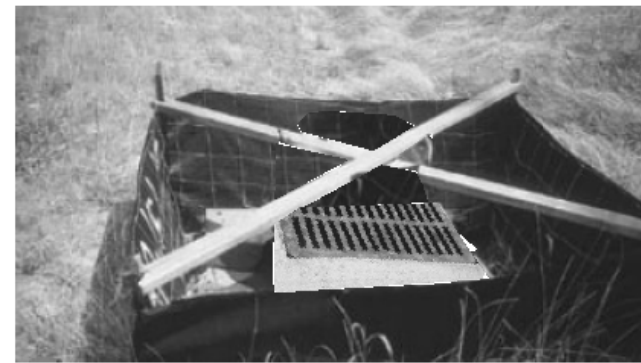


**HAY BALES
AT TYPE "C-L" CATCH BASIN**

NOTE: THIS ITEM WILL BE MEASURED BY LINEAR FEET OF SEDIMENTATION CONTROL SYSTEM

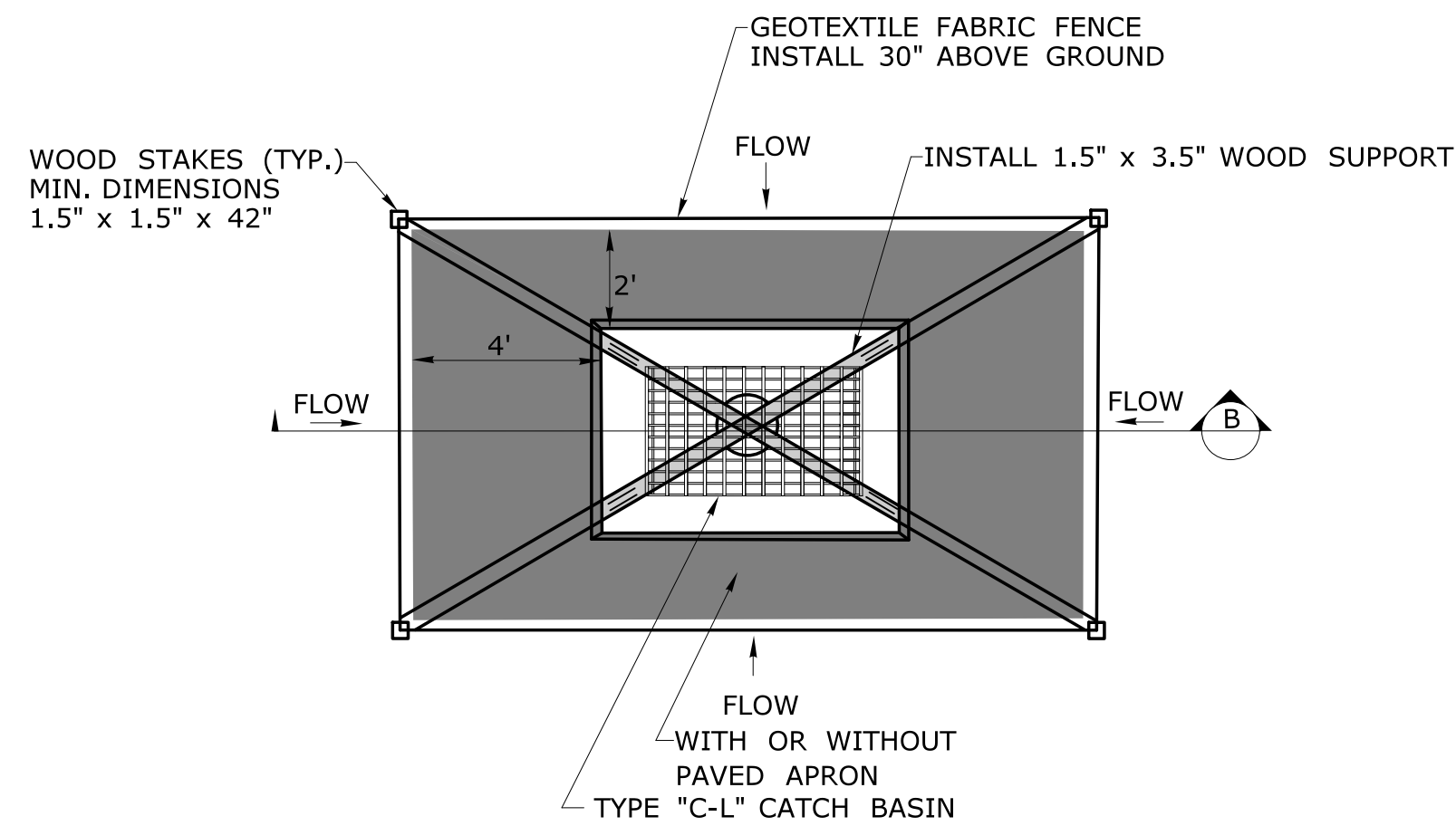


PLAN
THIS DETAIL APPLIES TO OFF ROAD LOCATIONS

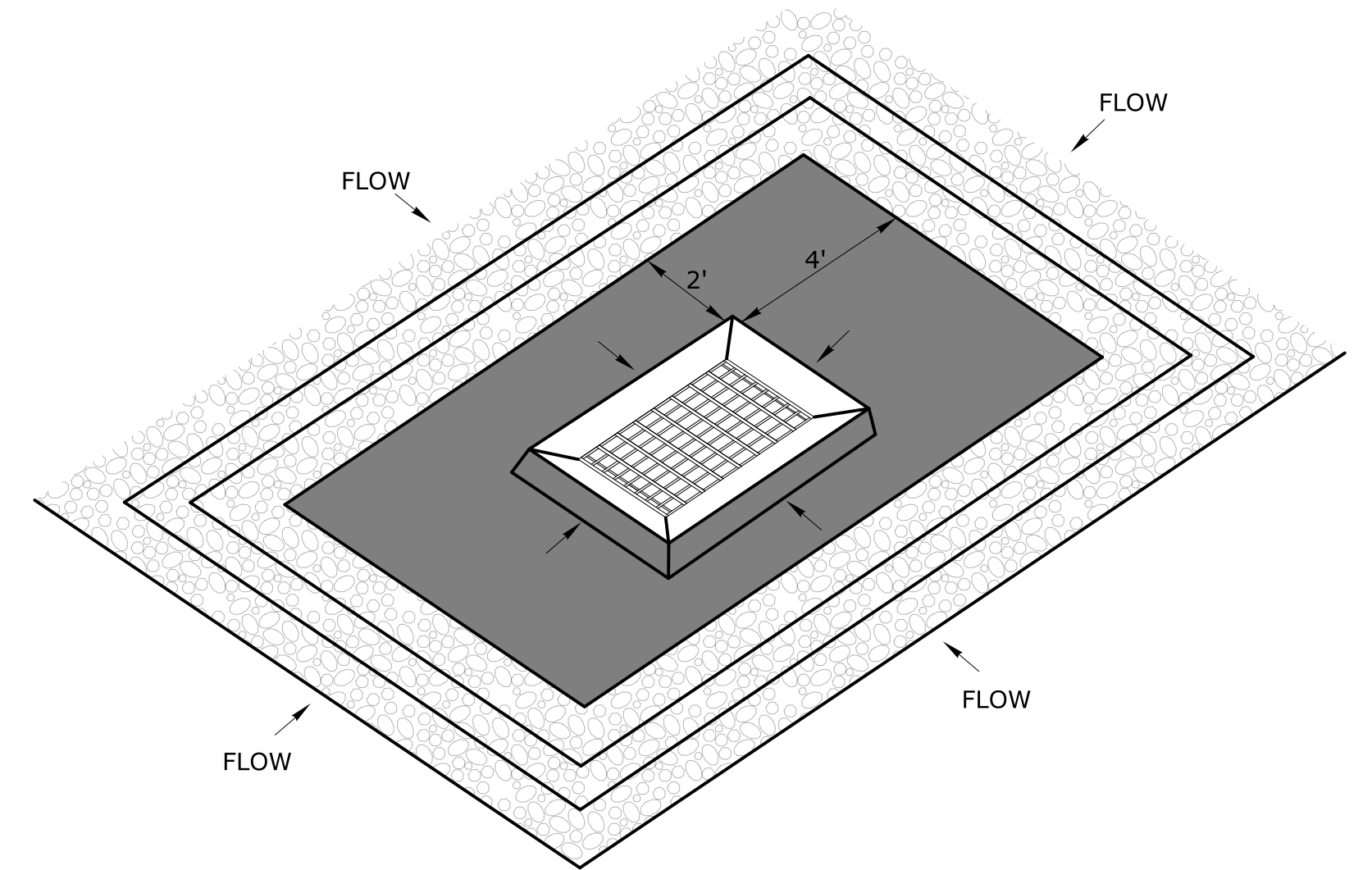


**GEOTEXTILE FABRIC FENCE
AT TYPE "C-L" CATCH BASIN**

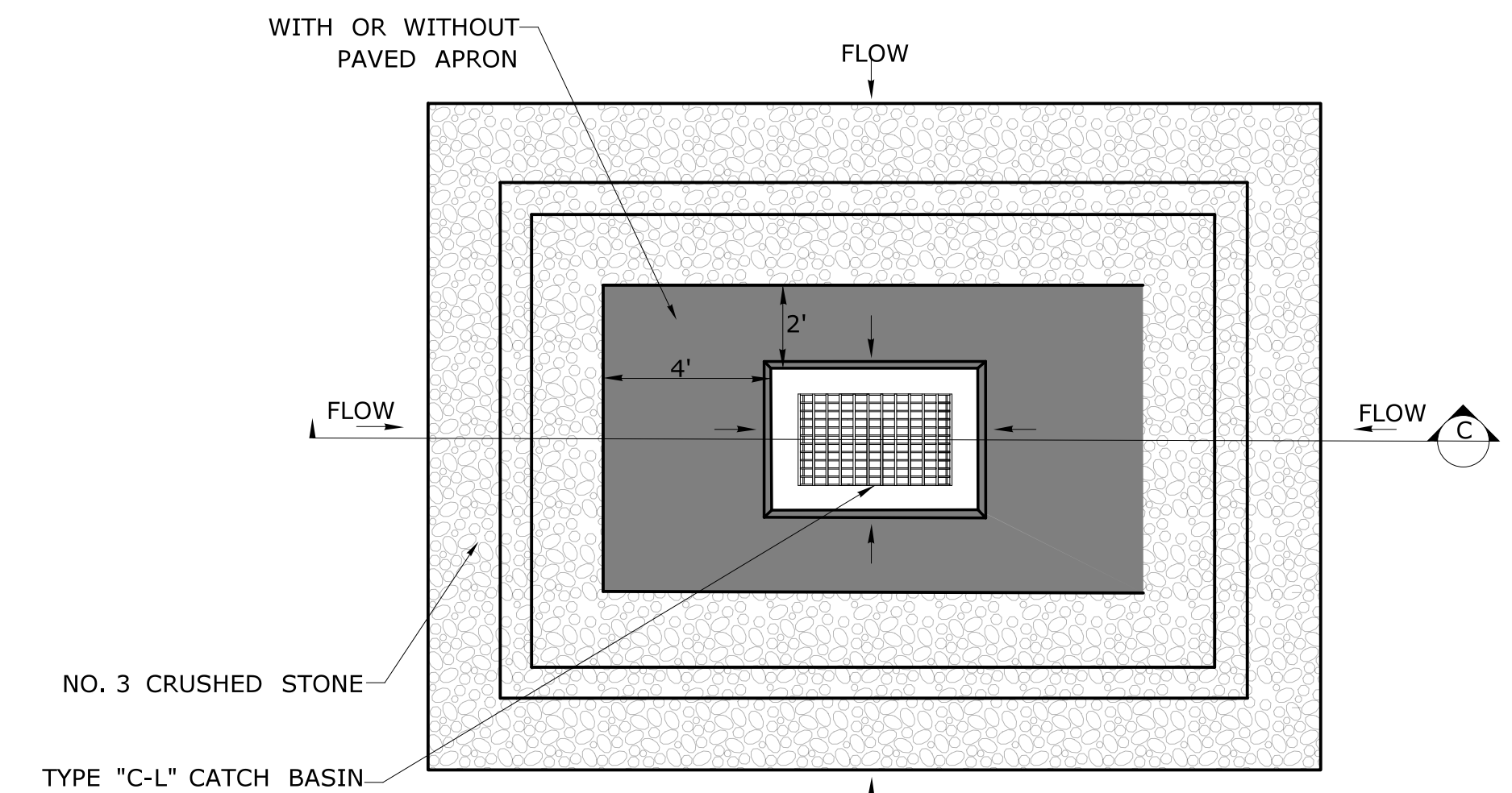
NOTE: THIS ITEM WILL BE MEASURED BY LINEAR FEET OF SEDIMENTATION CONTROL SYSTEM



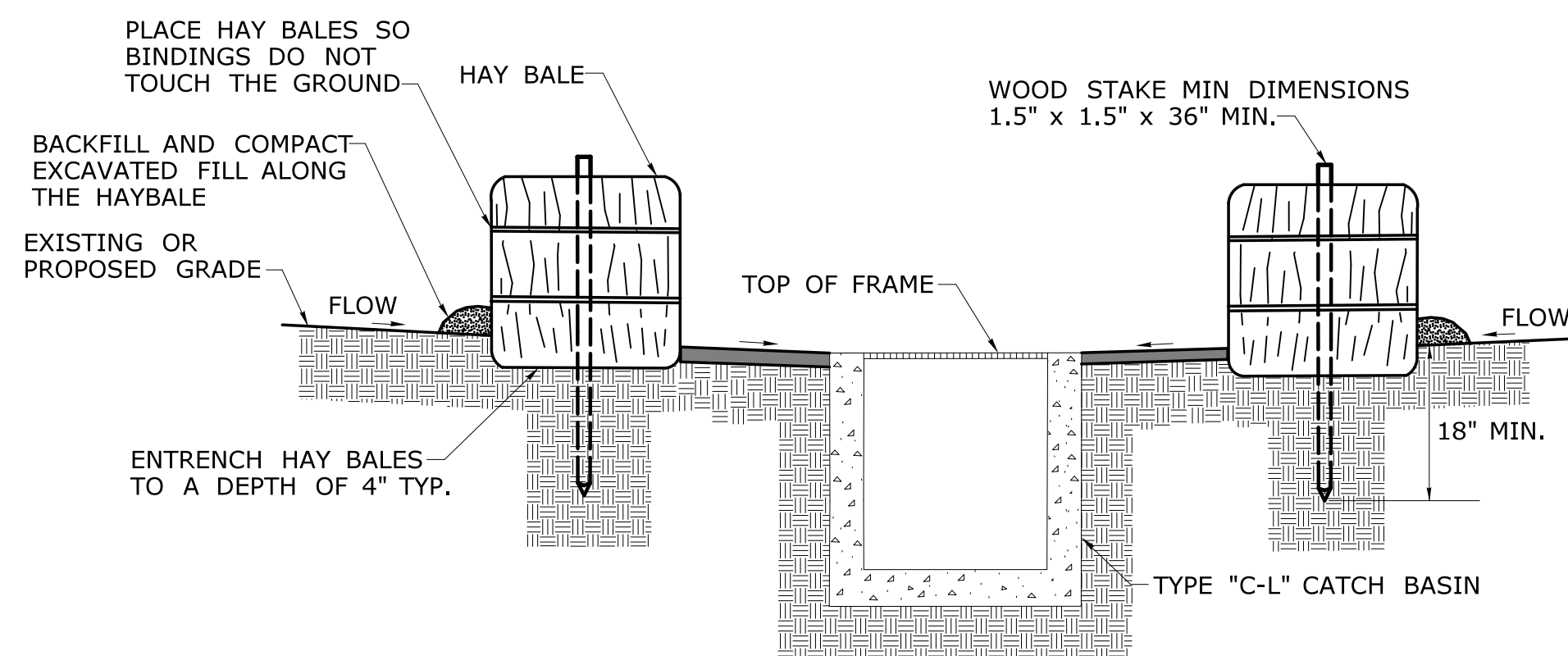
PLAN
THIS DETAIL APPLIES TO OFF ROAD LOCATIONS



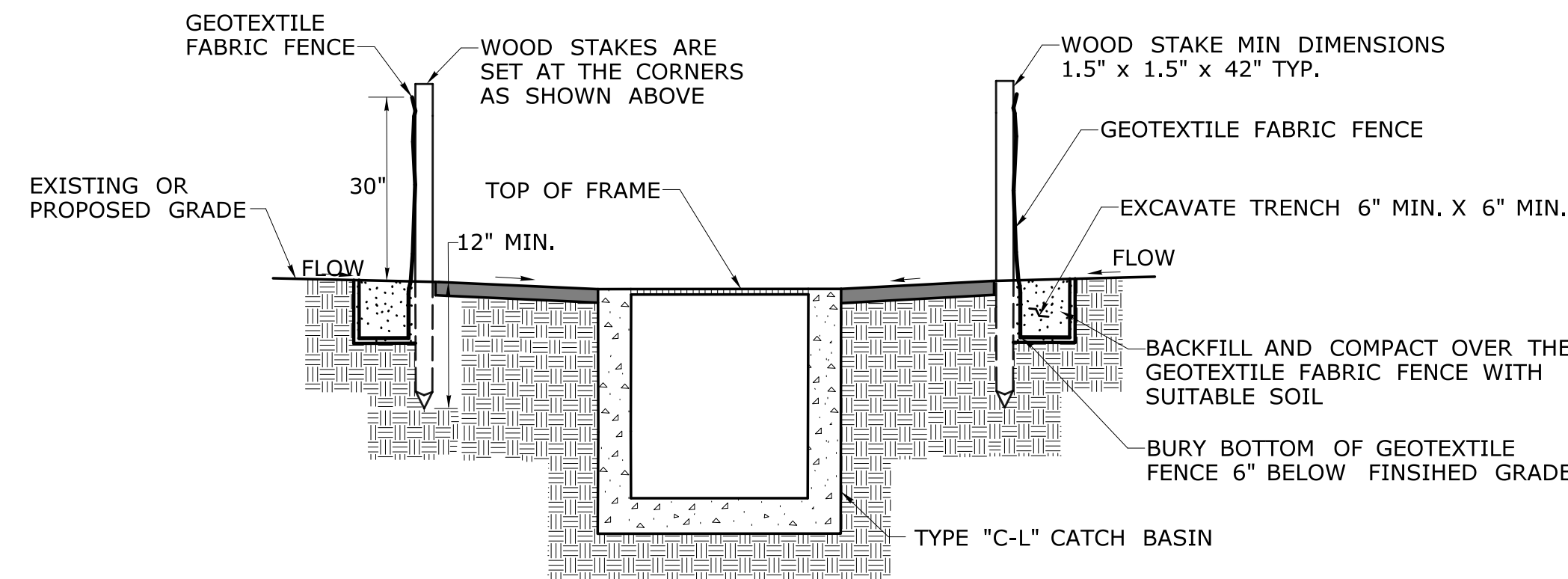
STONE CHECK DAM AT TYPE "C-L" CATCH BASIN



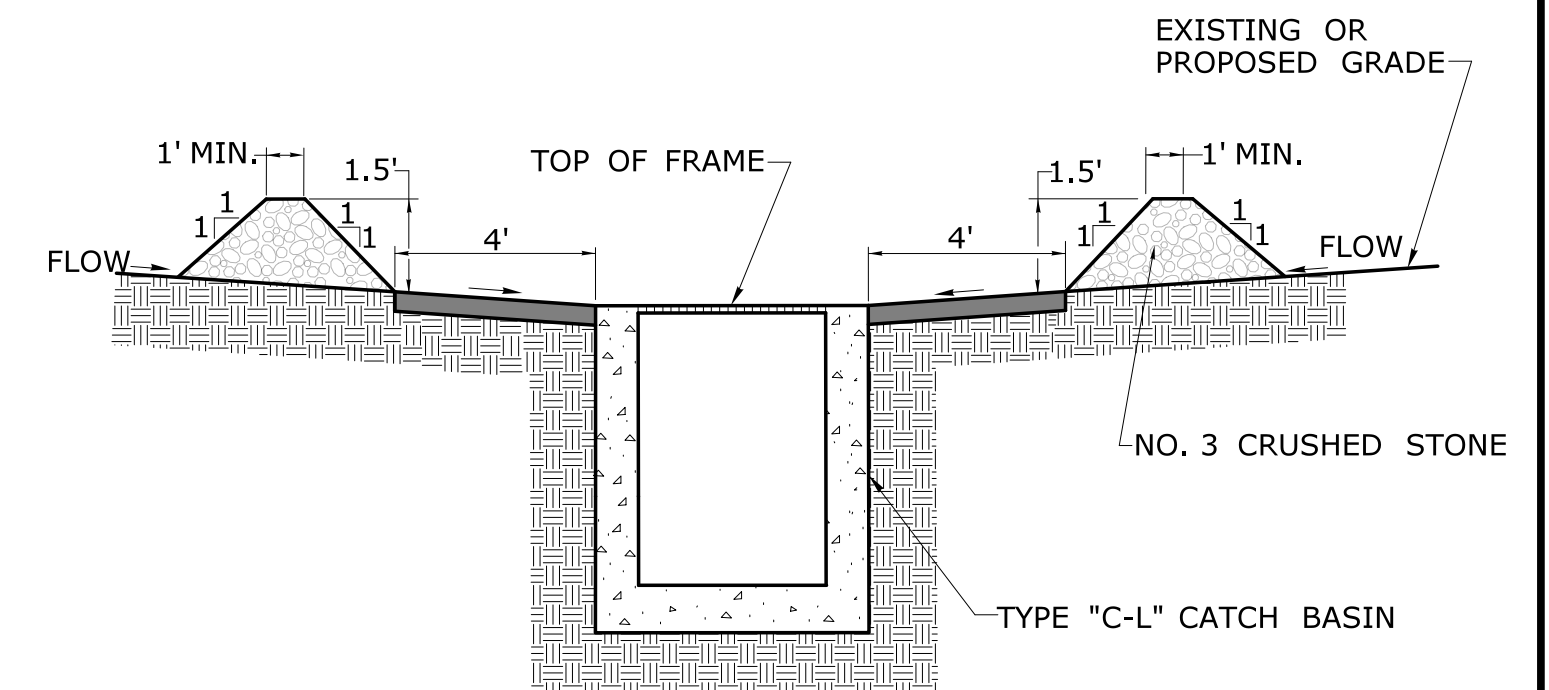
PLAN
THIS DETAIL APPLIES TO OFF ROAD LOCATIONS



SECTION A



SECTION B

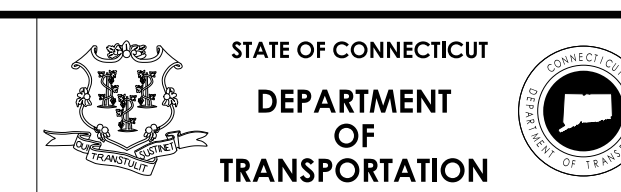


SECTION C

REV.	DATE	REVISION DESCRIPTION

DESIGNER/DRAFTER: _____ CHECKED BY: _____
 LASTED SAVED BY: RichardEH FILE NAME: W:\CT_CONNECT_DDE\CT_Configuration\Organization\Ce\NCTDOT_Borders_Contract.cel
 PLOTTED DATE: 11/23/2022

SIGNATURE/BLOCK: _____ APPROVED BY: _____
 OFFICE OF ENGINEERING
 2800 BERLIN TURNPIKE
 NEWINGTON, CT 06111



PROJECT NUMBER: 0000-0000
 PROJECT DESCRIPTION: SAMPLE PROJECT DESCRIPTION
 TOWN(S): SAMPLE TOWN(S)
 DRAWING TITLE: EROSION CONTROL MEASURES AT CATCH BASINS - HAY BALE, FABRIC FENCE AND STONE CHECK DAM
 DRAWING NO. _____ SHEET NO. _____