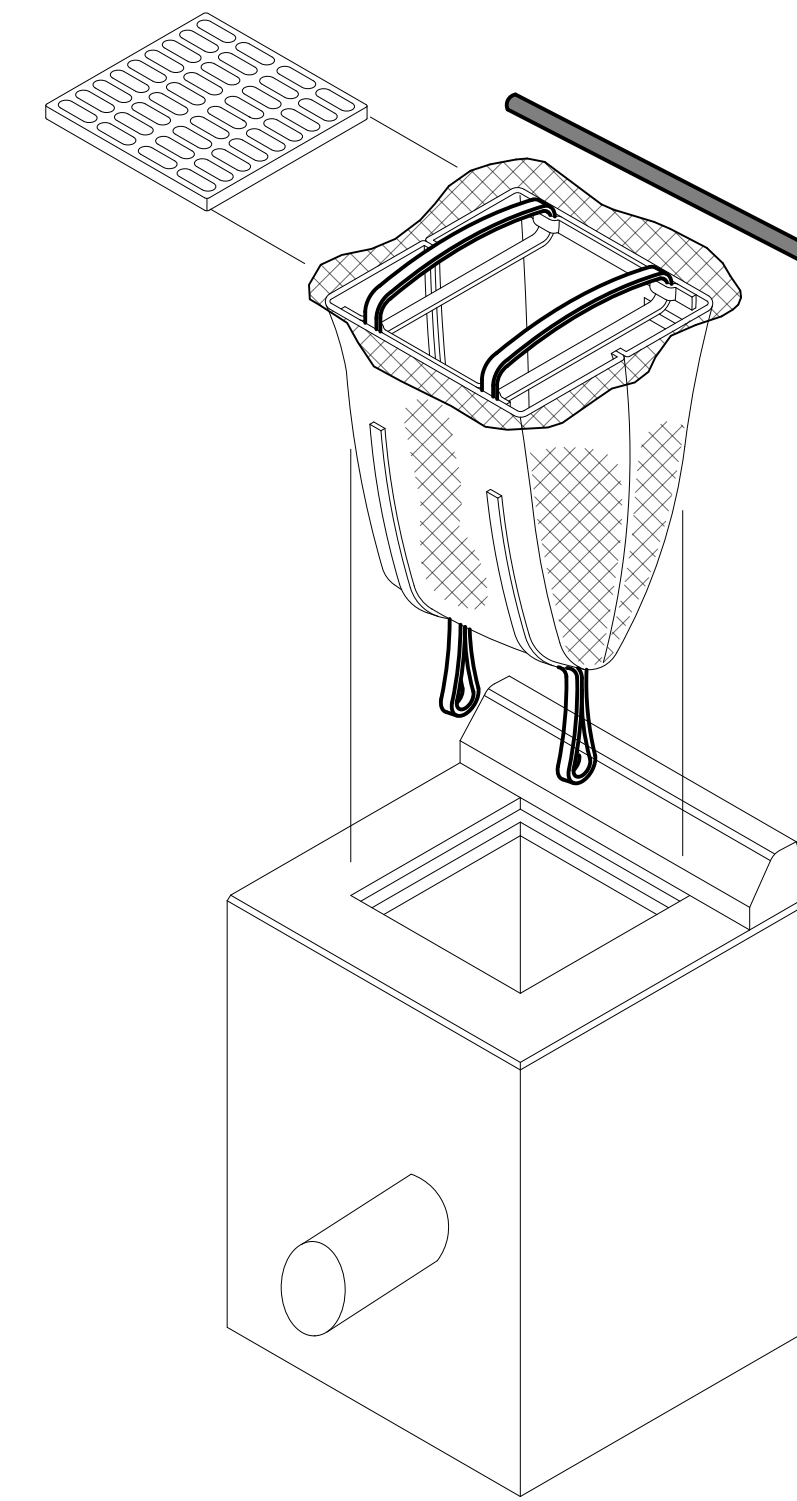


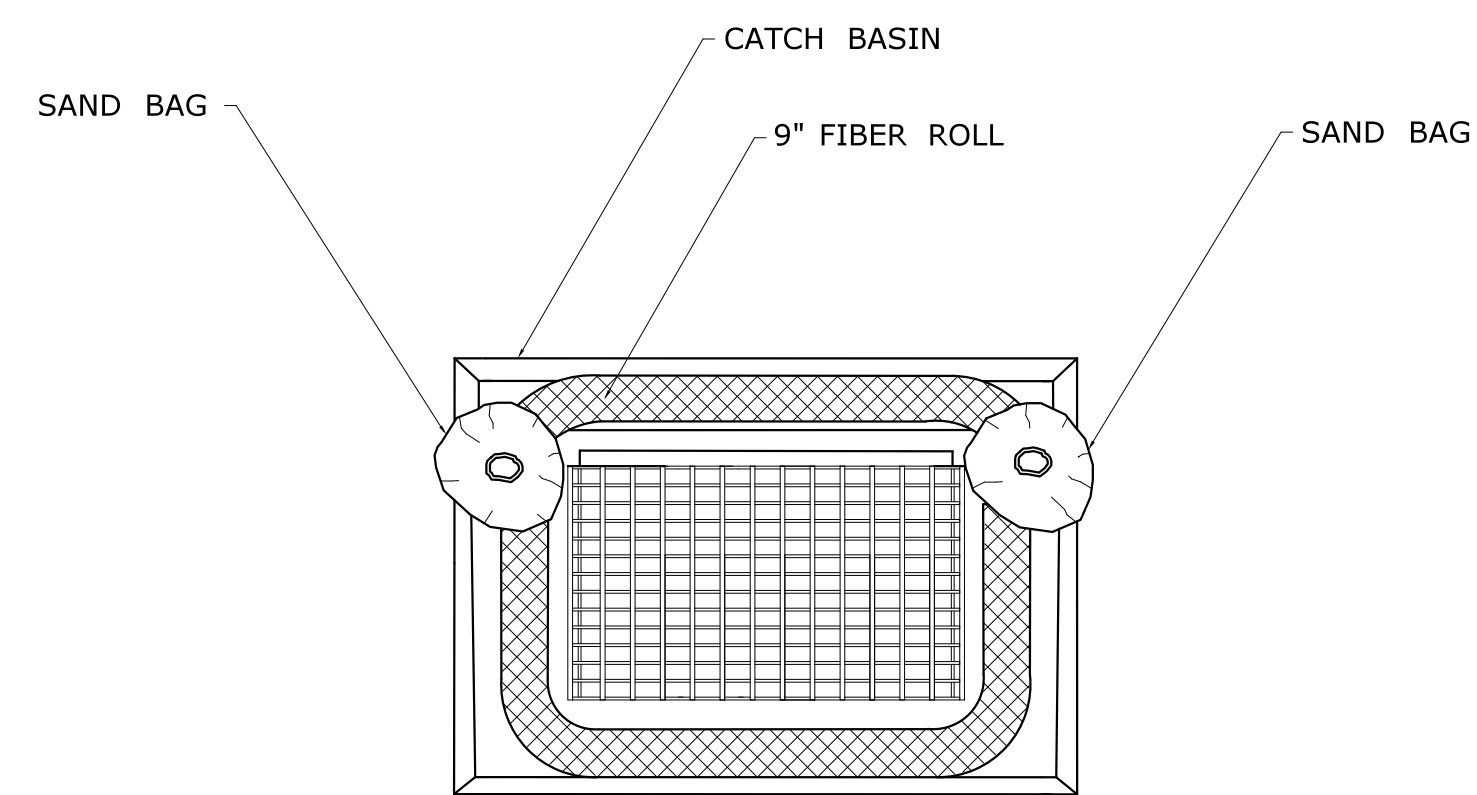
**FIBER ROLL AROUND
TYPE "C" OR "C-L" CATCH BASIN TOP**

NOTE: THIS ITEM WILL BE MEASURED BY EACH SEDIMENT CONTROL SYSTEM AT CATCH BASIN

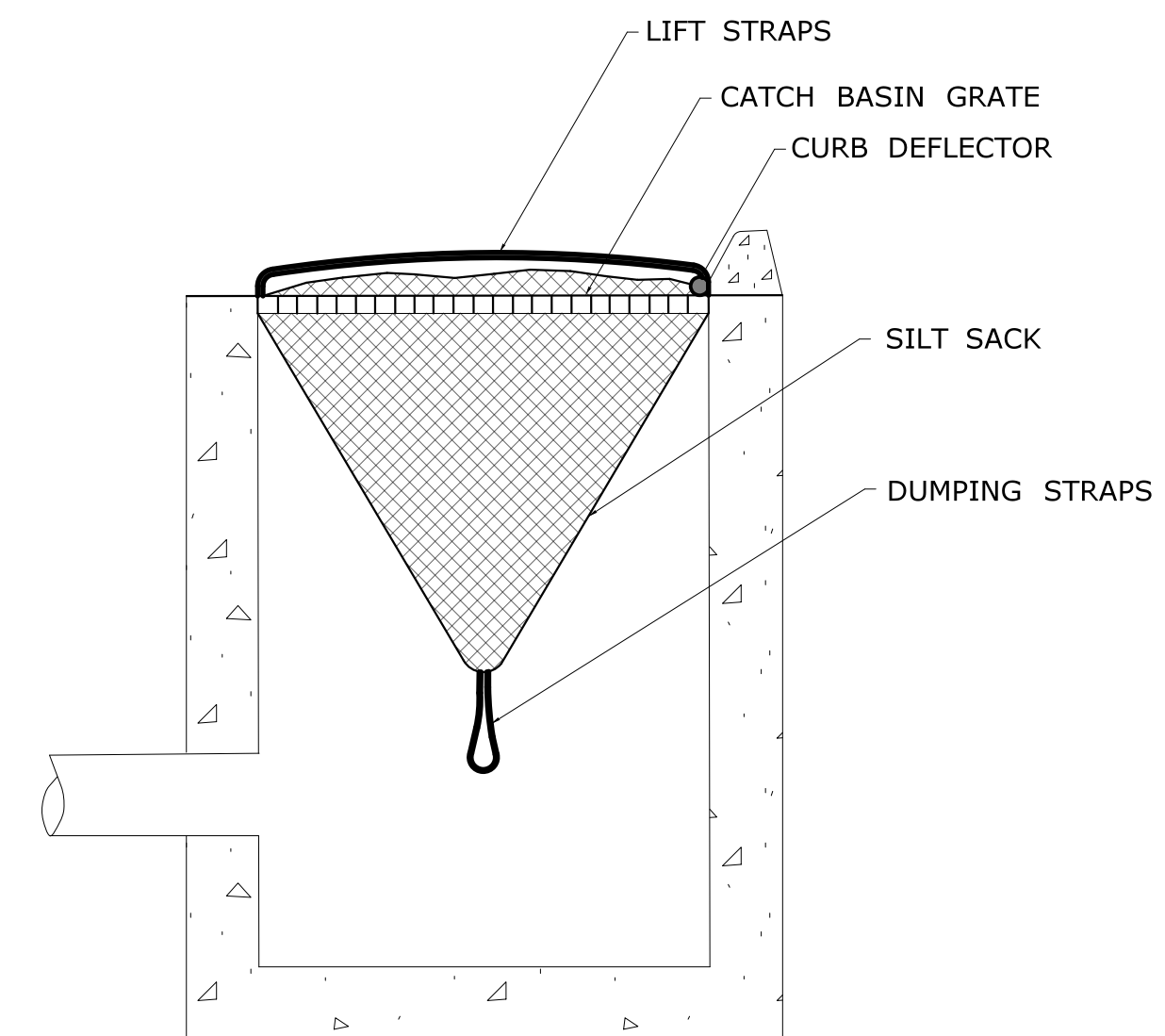


**INLET SEDIMENT CONTROL DEVICE
AT TYPE "C" OR "C-L" CATCH BASIN**

NOTE: THIS ITEM WILL BE MEASURED BY EACH SEDIMENT CONTROL SYSTEM AT CATCH BASIN



PLAN



SECTION

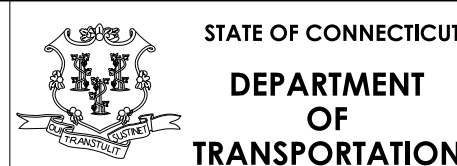
REV.	DATE	REVISION DESCRIPTION

DESIGNER/DRAFTER: _____ CHECKED BY: _____

SIGNATURE/
BLOCK: _____

OFFICE OF ENGINEERING
2800 BERLIN TURNPIKE
NEWINGTON, CT 06111

APPROVED BY: _____



PROJECT NUMBER: 0000-0000
PROJECT DESCRIPTION: SAMPLE PROJECT DESCRIPTION
TOWN(S): SAMPLE TOWN(S)
DRAWING TITLE: EROSION CONTROL MEASURES AT CATCH BASINS - FIBER ROLL AND SILT SACK

DRAWING NO. _____
SHEET NO. _____