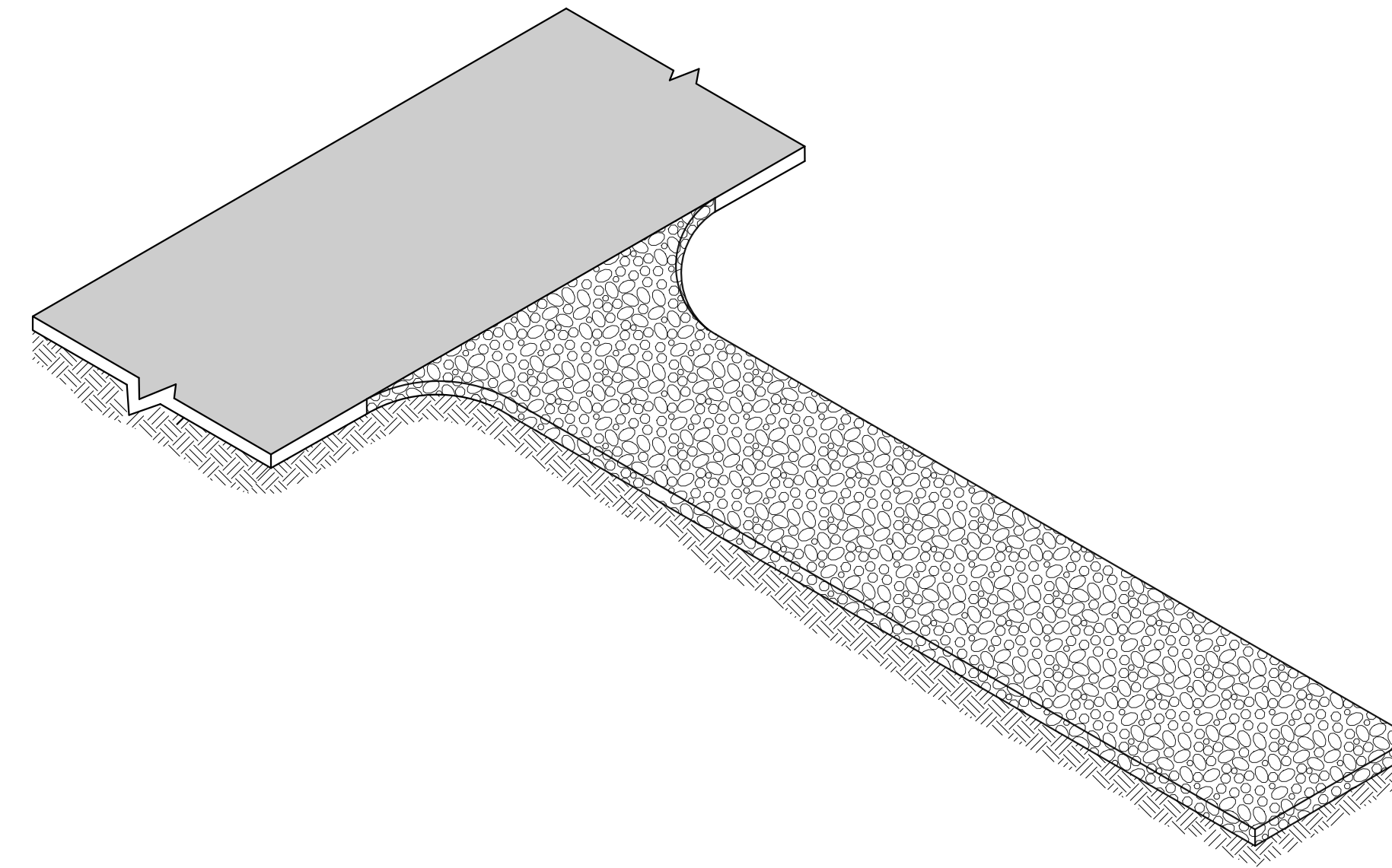
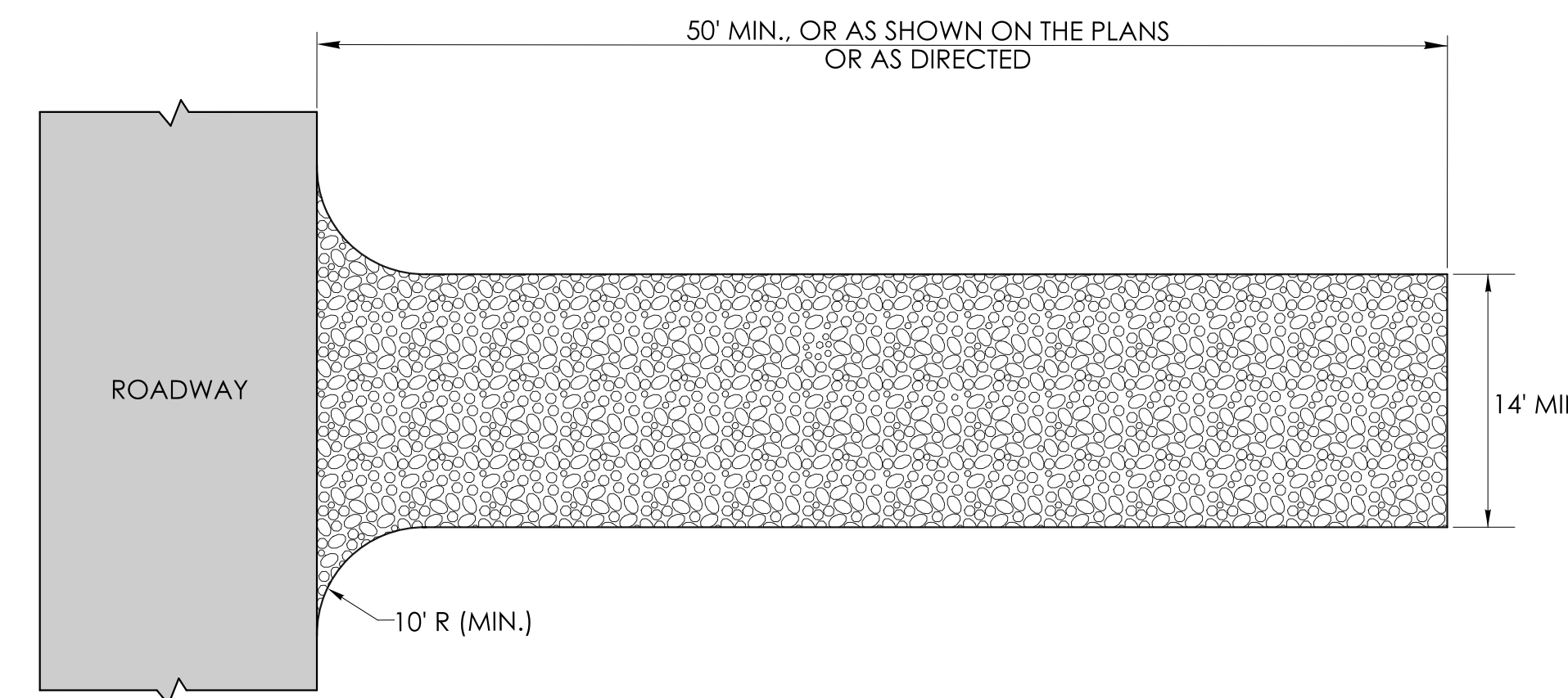


GENERAL NOTE:

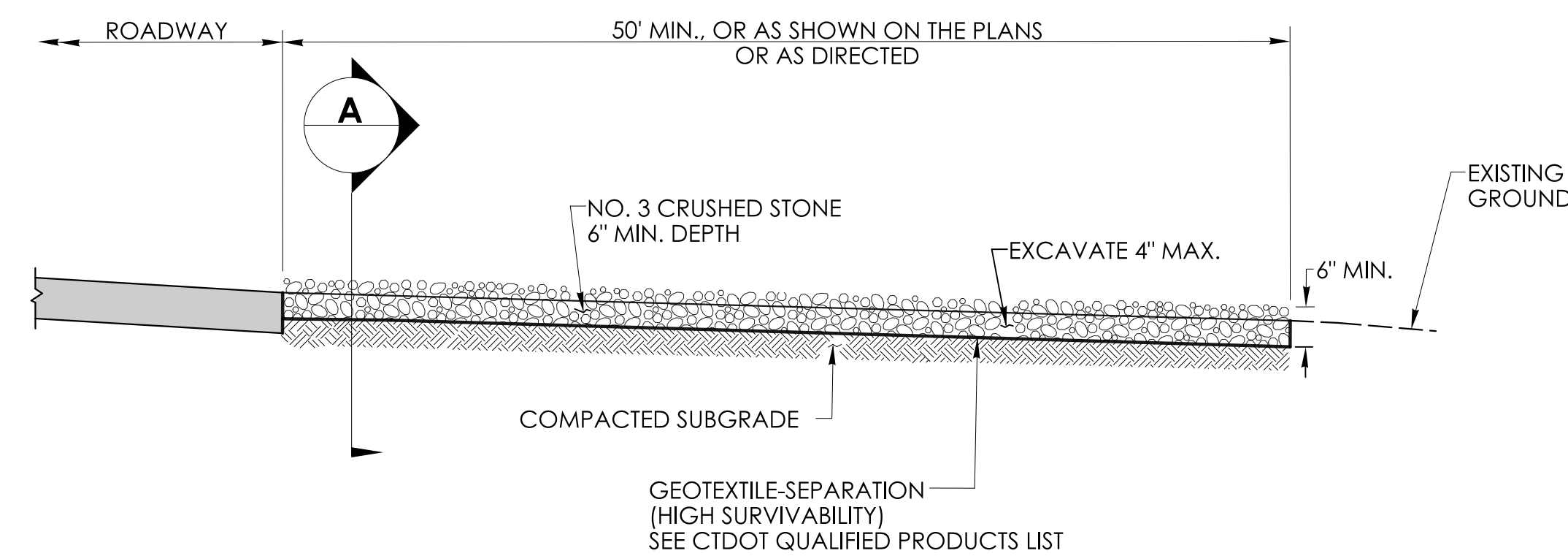
1. THE LENGTH OF THE ANTI-TRACKING PAD SHALL BE INCREASED AS DIRECTED FOR SITES COMPOSED OF CLAY OR SILTS.



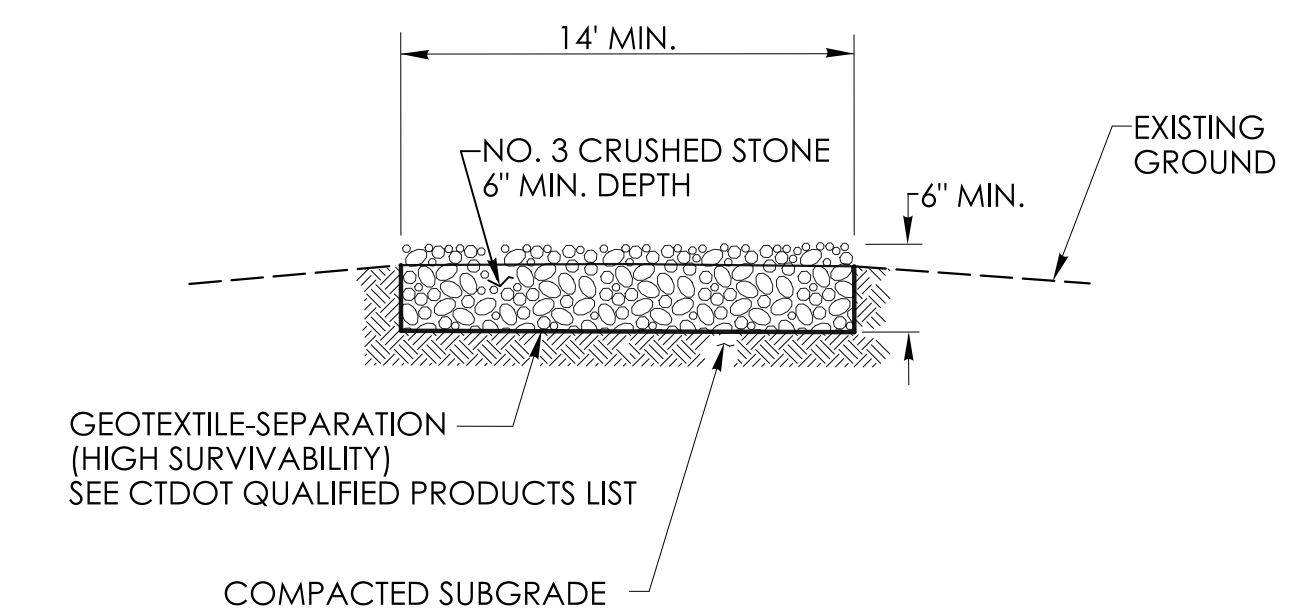
ANTI-TRACKING PAD



PLAN



ELEVATION



SECTION A