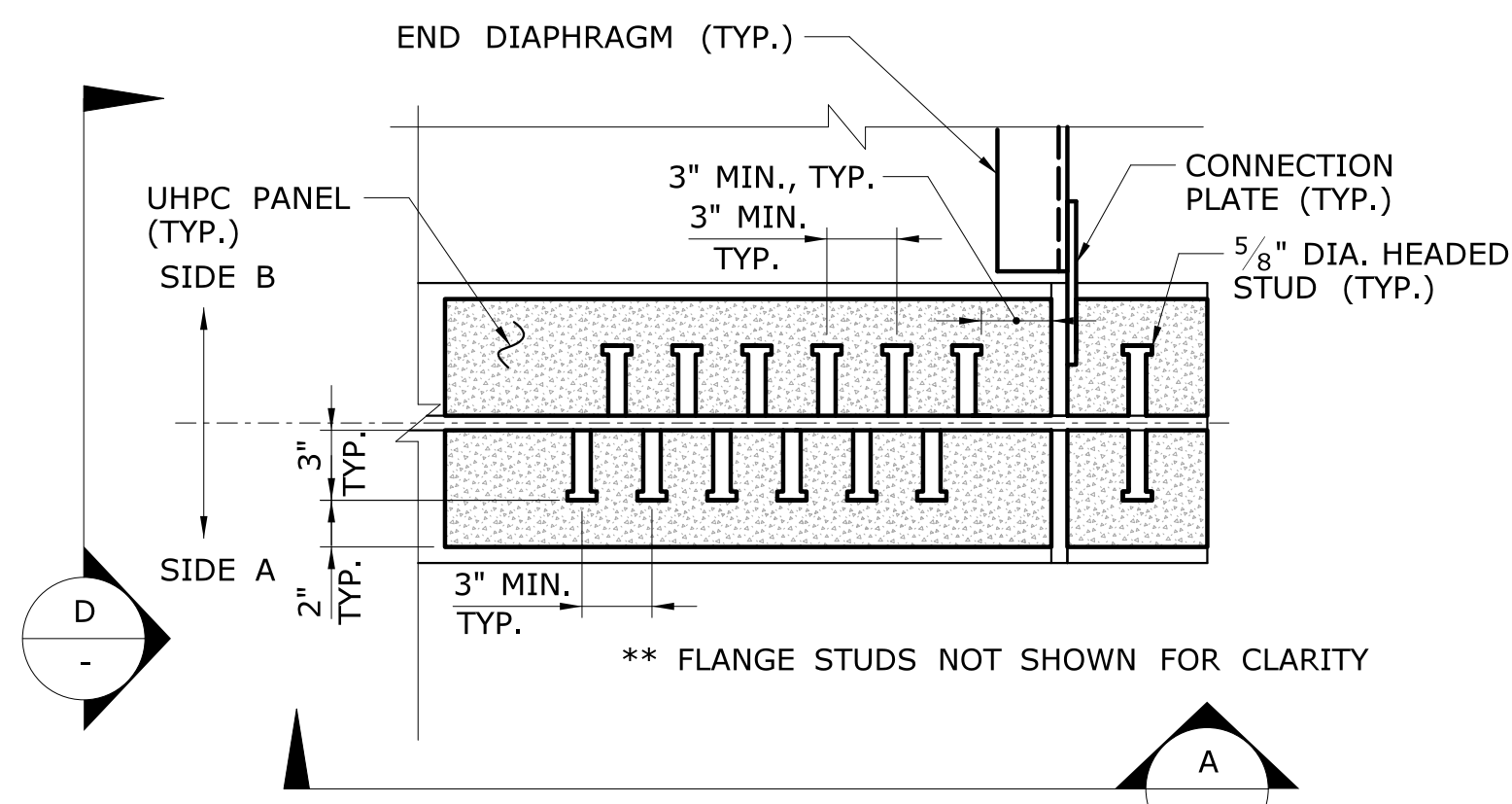


**SHEAR CONNECTOR DETAIL TYPE 1B REPAIR**

SCALE: 1 1/2" = 1'

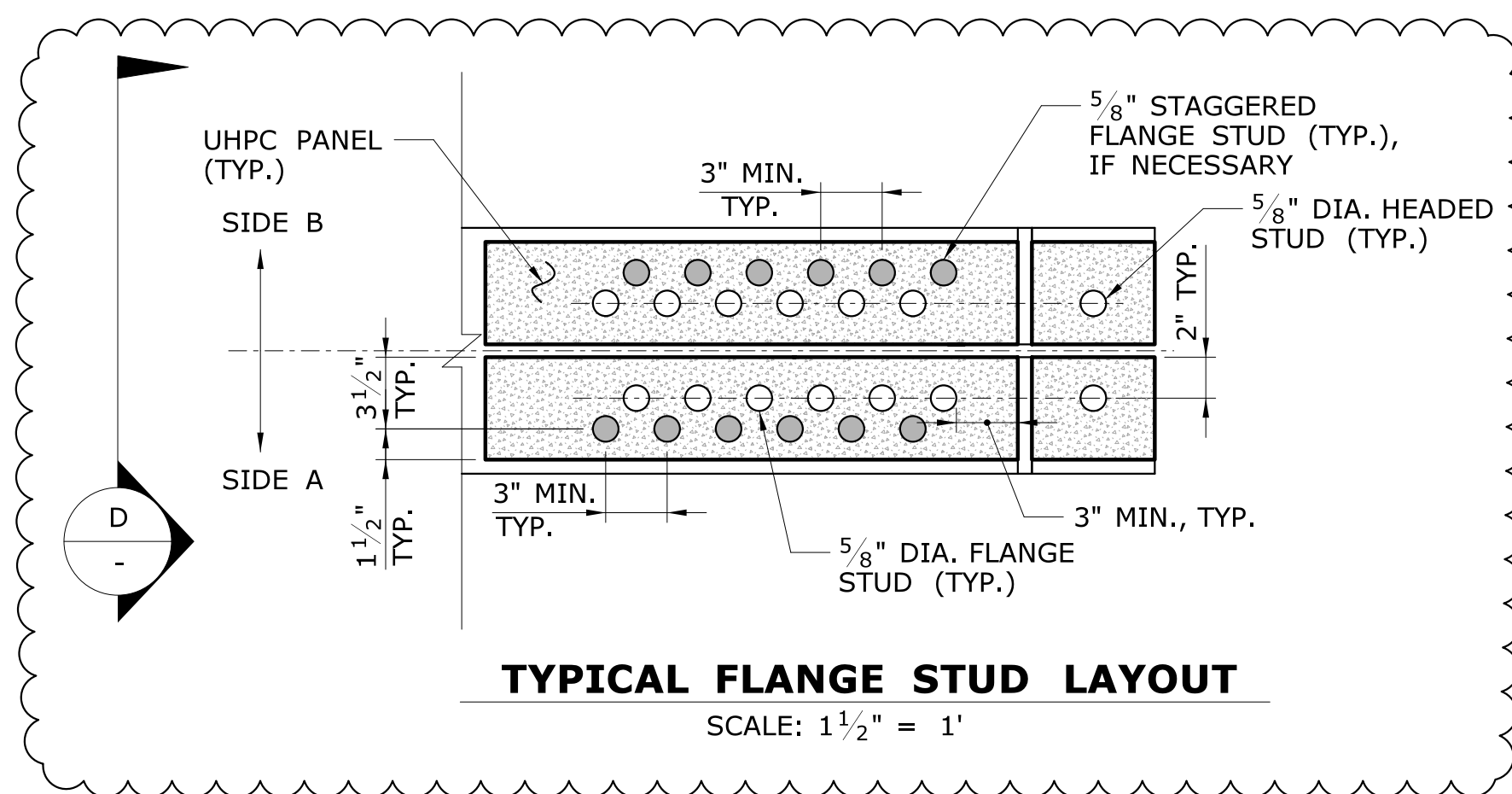
\*\* FLANGE STUDS NOT SHOWN FOR CLARITY



**SHEAR CONNECTOR DETAIL TYPE 1B REPAIR**

SCALE: 1 1/2" = 1'

\*\* FLANGE STUDS NOT SHOWN FOR CLARITY

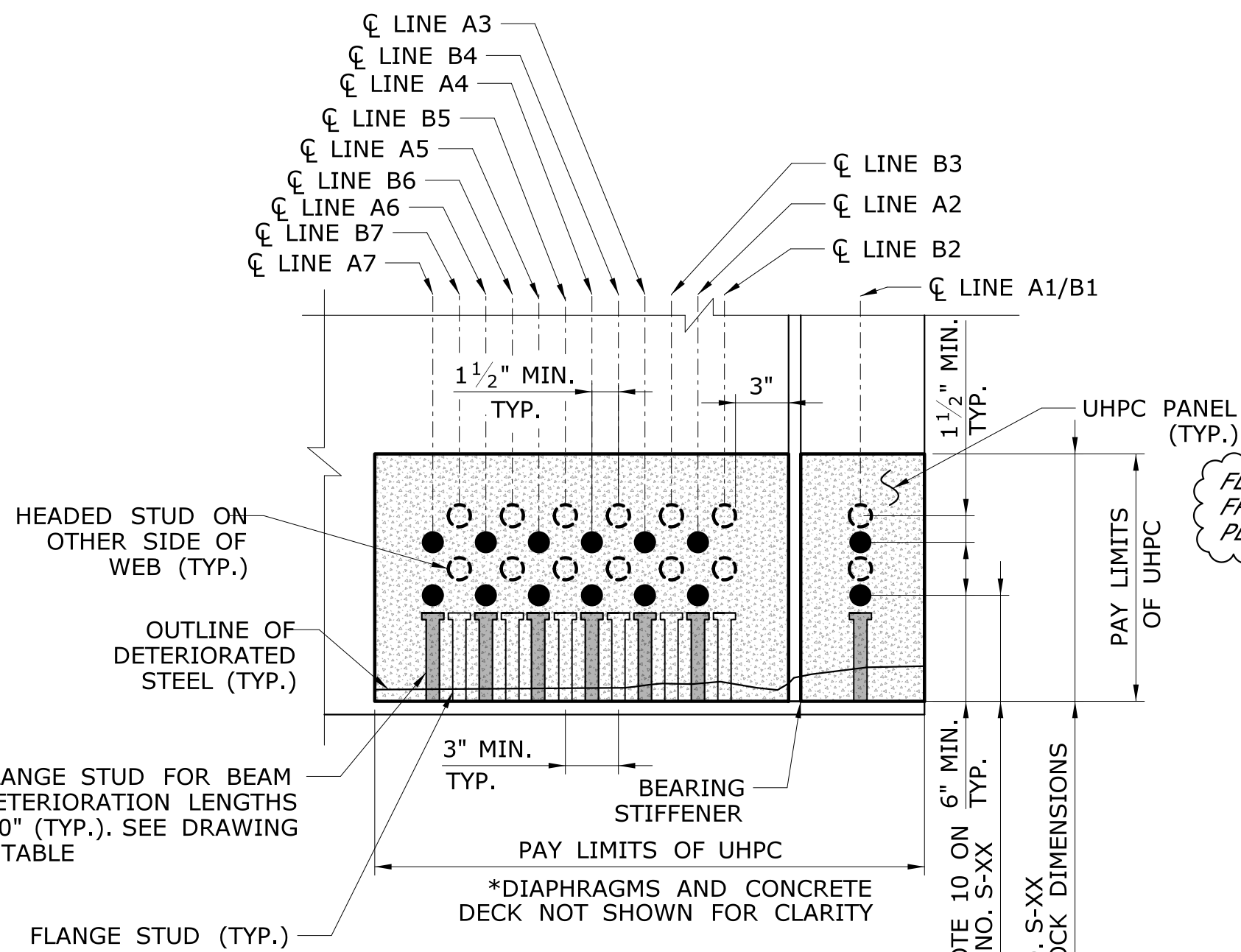


**TYPICAL FLANGE STUD LAYOUT**

SCALE: 1 1/2" = 1'

DELETE DETAIL IF NO FLANGE STUDS NECESSARY

DIMENSION FOR STAGGERED FLANGE STUDS WILL CHANGE BASED OFF THE LOADS REQUIRED TO TRANSFER INTERFACE SHEAR FROM THE WEB TO FLANGE, BASED OF GIRDER DETERIORATION PROFILE FLANGE STUDS MAY NOT BE NECESSARY

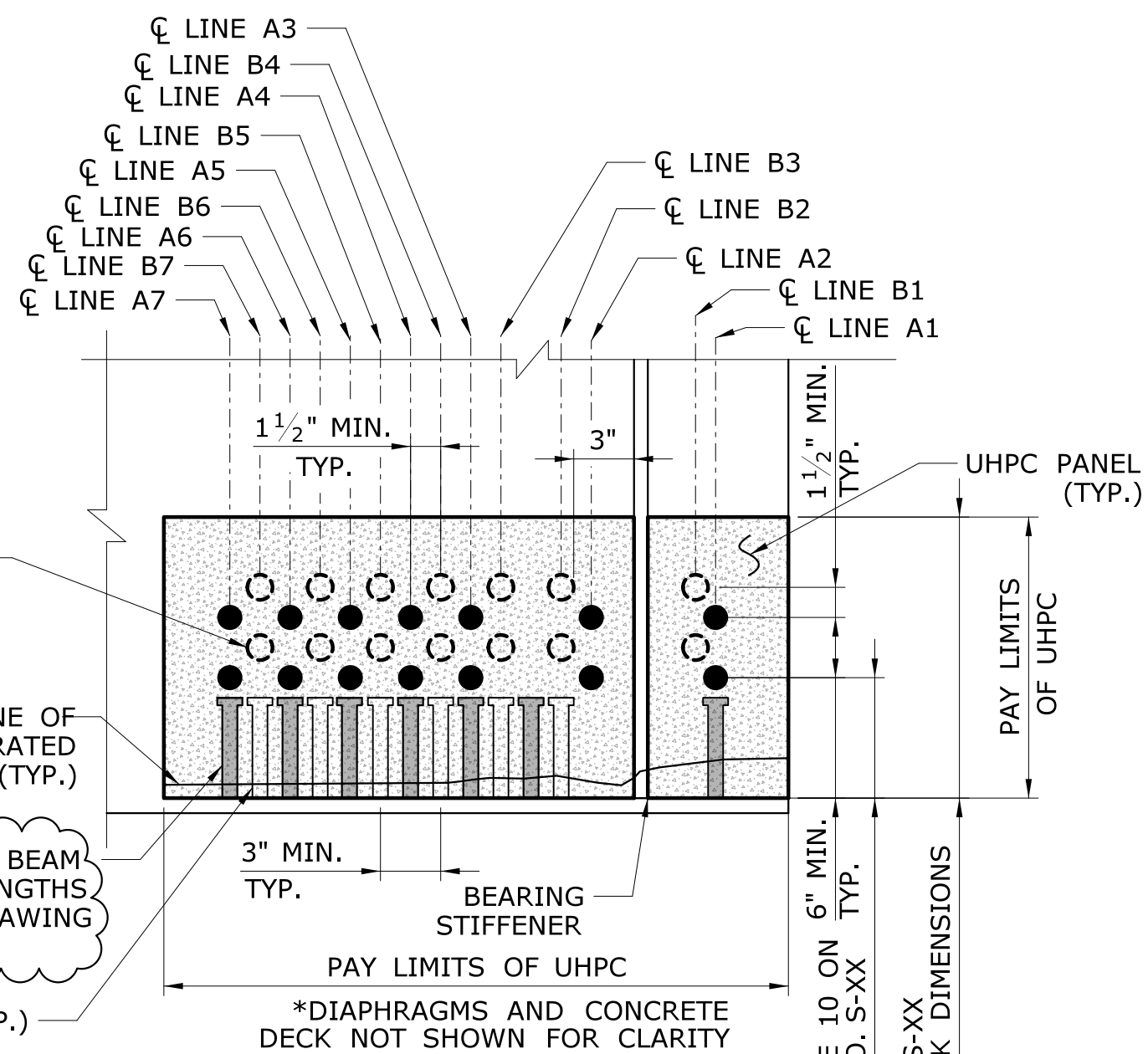


**REPAIR ELEVATION VIEW A**

SCALE: 1 1/2" = 1'

**TYPE 1 BEAM END REPAIR**

SEE NOTE 10 ON 6" MIN. SHEET NO. S-XX FOR UHPC BLOCK DIMENSIONS

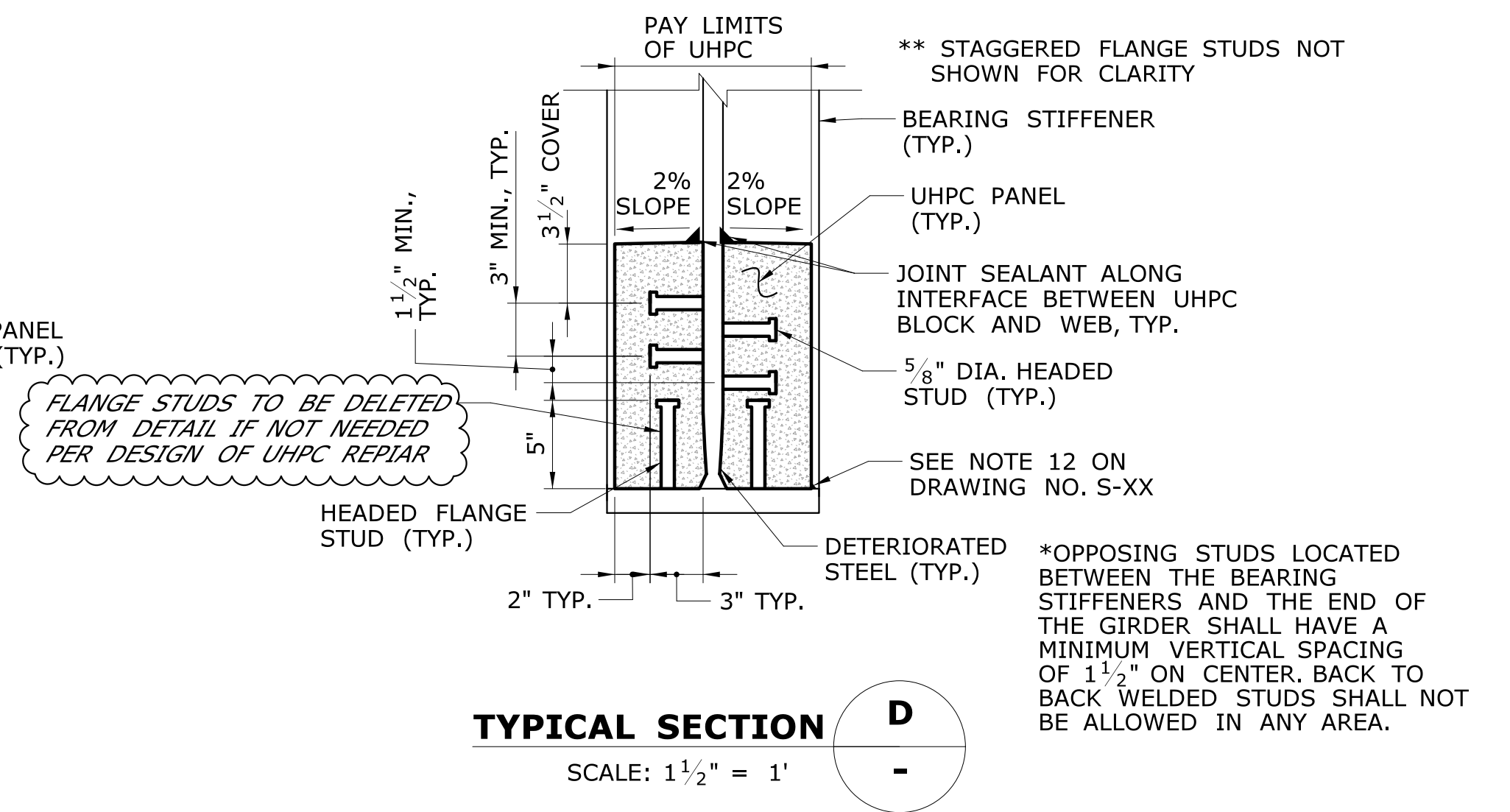


**REPAIR ELEVATION VIEW B**

SCALE: 1 1/2" = 1'

**TYPE 2 BEAM END REPAIR**

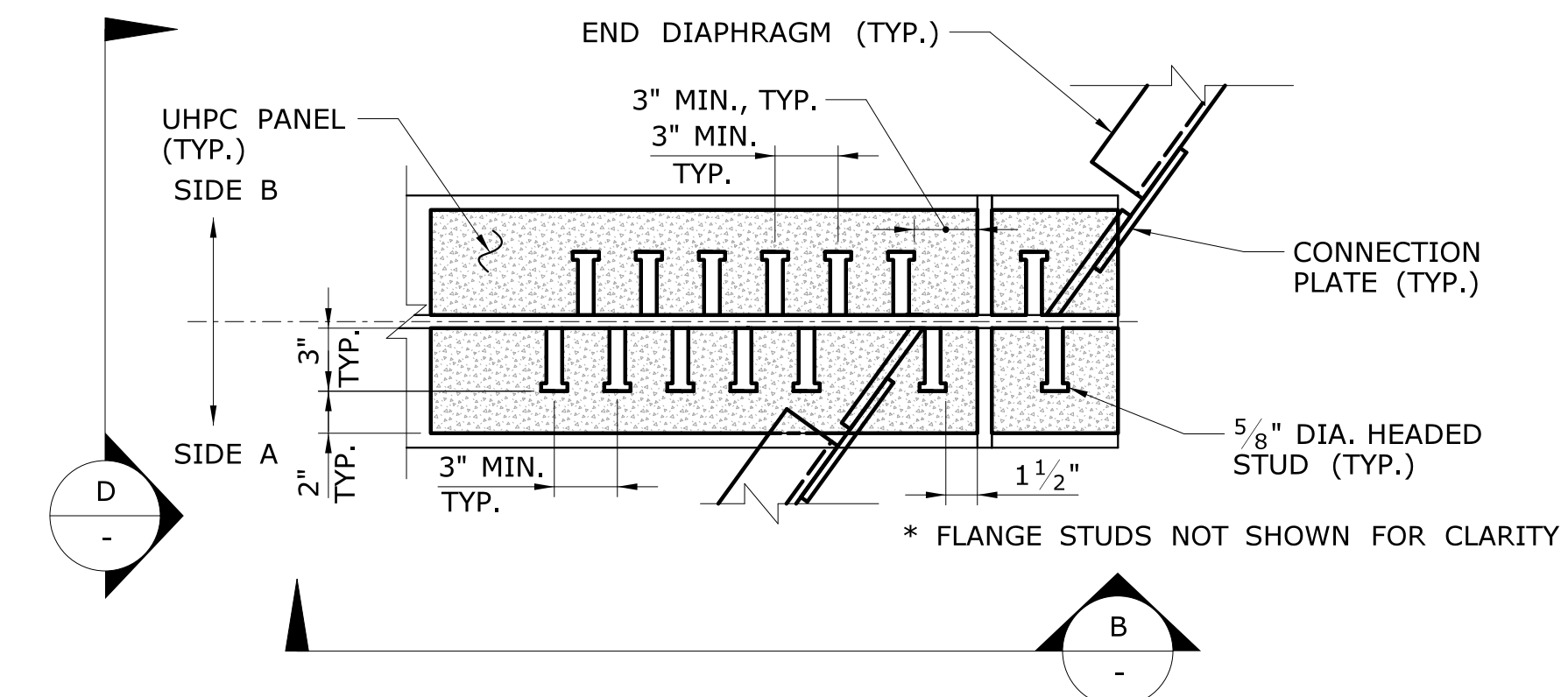
SEE NOTE 10 ON 6" MIN. SHEET NO. S-XX FOR UHPC BLOCK DIMENSIONS



**TYPICAL SECTION D**

SCALE: 1 1/2" = 1'

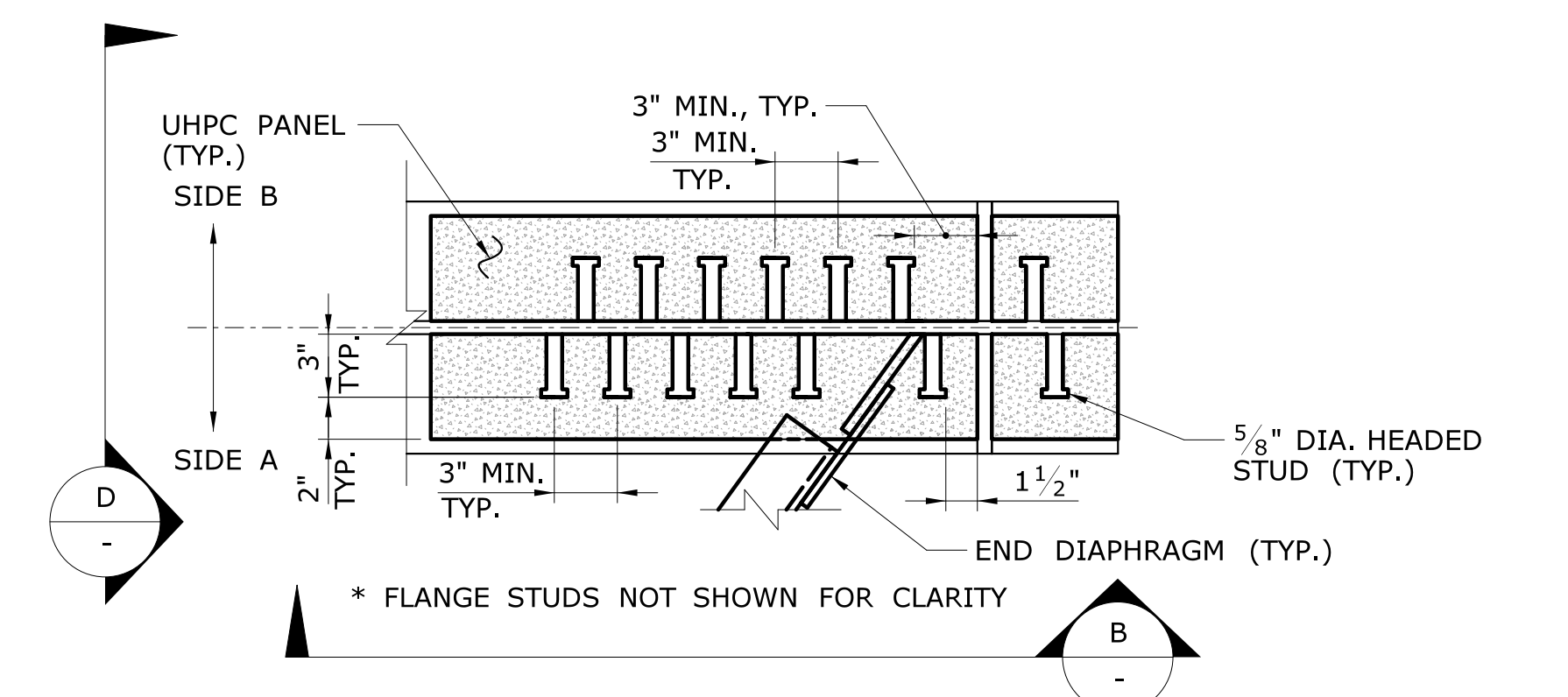
\*\* STAGGERED FLANGE STUDS NOT SHOWN FOR CLARITY  
\* OPPOSING STUDS LOCATED BETWEEN THE BEARING STIFFENERS AND THE END OF THE GIRDER SHALL HAVE A MINIMUM VERTICAL SPACING OF 1 1/2" ON CENTER. BACK TO BACK WELDED STUDS SHALL NOT BE ALLOWED IN ANY AREA.



**SHEAR CONNECTOR DETAIL TYPE 2A REPAIR**

SCALE: 1 1/2" = 1'

\* FLANGE STUDS NOT SHOWN FOR CLARITY



**SHEAR CONNECTOR DETAIL TYPE 2B REPAIR**

SCALE: 1 1/2" = 1'

\* FLANGE STUDS NOT SHOWN FOR CLARITY

THE INFORMATION, INCLUDING ESTIMATED QUANTITIES OF WORK, SHOWN ON THESE SHEETS IS BASED ON LIMITED INVESTIGATIONS BY THE STATE AND IS IN NO WAY WARRANTED TO INDICATE THE CONDITIONS OF ACTUAL QUANTITIES OF WORK WHICH WILL BE REQUIRED.		DESIGNER/DRAFTER: CHECKED BY: SCALE AS NOTED	<b>STATE OF CONNECTICUT</b> <b>DEPARTMENT OF TRANSPORTATION</b> Filename: ...UHPC Beam End Repair Details - 2 (1).dgn	SIGNATURE/BLOCK: <b>OFFICE OF ENGINEERING</b> APPROVED BY:	PROJECT TITLE: <b>UHPC BEAM END REPAIR DETAILS - 2</b>	TOWN: PROJECT NO.: DRAWING NO.: SHEET NO.:
REV.	DATE	REVISION DESCRIPTION	SHEET NO.	Plotted Date: 1/12/2022		