

**GENERAL GUIDE SHEET NOTES:**

THIS PARAPET WITH SIDEWALK IN COMBINATION WITH EITHER PROTECTIVE FENCE OR METAL BRIDGE RAIL HAS BEEN EVALUATED AT TEST LEVEL 3 (TL-3) AND DETERMINED THAT IT COMPLIES WITH MASH 2016.

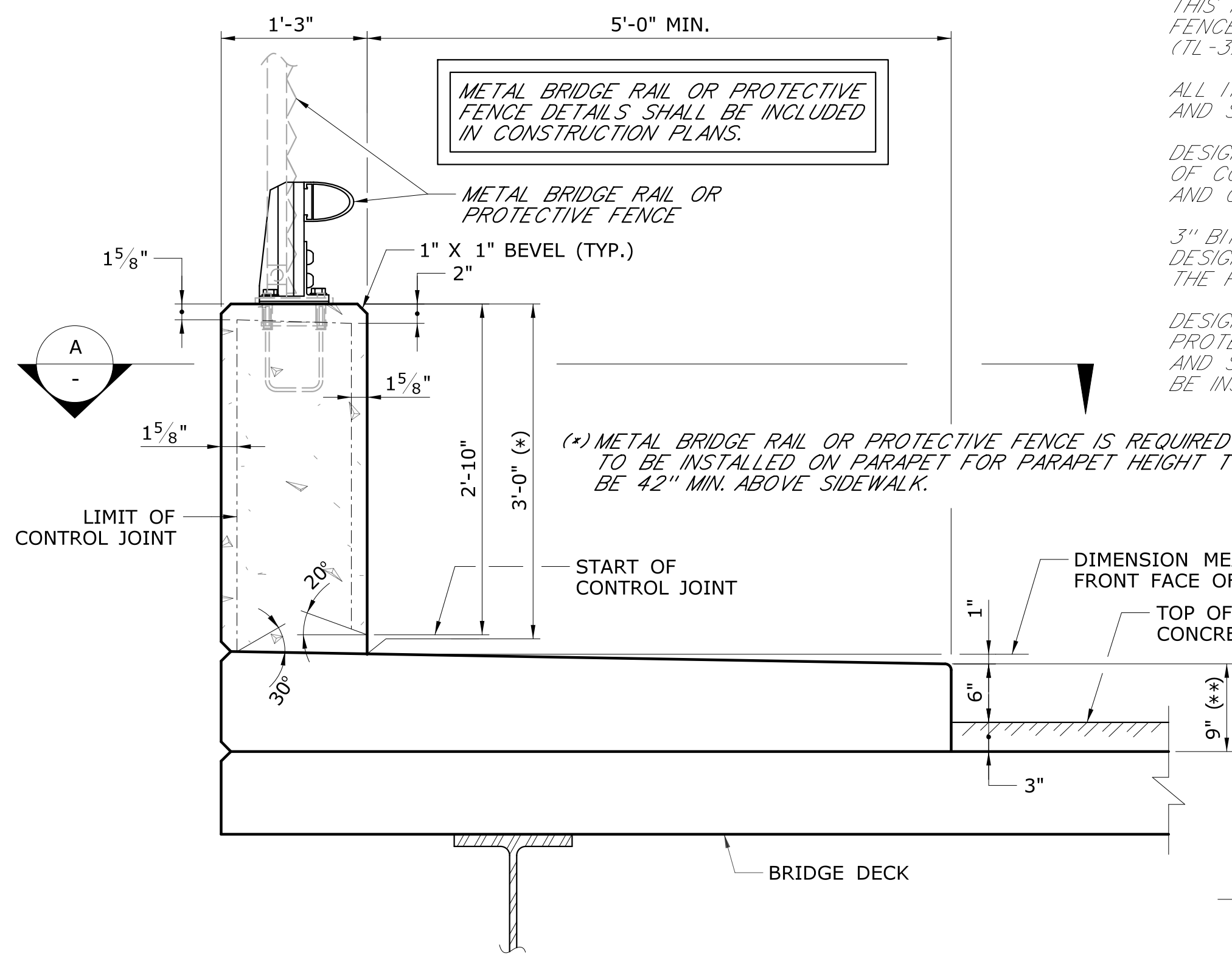
ALL ITALICIZED TEXT ON THIS SHEET IS FOR INSTRUCTION PURPOSE ONLY AND SHALL NOT BE INCLUDED IN CONSTRUCTION PLANS.

DESIGNER SHALL REFER TO BRIDGE DESIGN MANUAL, SECTION 6 FOR CLASS OF CONCRETE AND REINFORCEMENT SELECTION. THE CLASS OF CONCRETE AND GRADE OF REINFORCEMENT SHALL BE SHOWN ON CONSTRUCTION PLANS.

3" BITUMINOUS CONCRETE OVERLAY IS CONSIDERED IN THIS GUIDE SHEET. DESIGNER SHALL FOLLOW THE INSTRUCTIONS INDICATED HEREIN TO MODIFY THE PARAPET GEOMETRY TO ACCOMMODATE OVERLAY THICKNESS MORE THAN 3".

DESIGNER SHALL SPECIFY ON CONSTRUCTION PLANS THAT PENETRATING SEALER PROTECTIVE COMPOUND SHALL BE APPLIED TO ALL EXPOSED FACES OF PARAPET AND SIDEWALK. DESIGNER SHALL ALSO SPECIFY THAT SILICONE JOINT SEAL SHALL BE INSTALLED PRIOR TO APPLICATION OF PENETRATING SEALER PROTECTIVE COMPOUND.

REFER TO 42" VERTICAL SHAPE CONCRETE PARAPET DETAILS FOR PARAPET END AND THRIE-BEAM TERMINAL CONNECTOR ATTACHMENT DETAILS.



**SECTION - VERTICAL PARAPET WITH SIDEWALK**

SCALE: 1" = 1'-0"

**SIDEWALK REINFORCEMENT NOTE:**

AS AN OPTION, MECHANICAL DOWEL BAR SPLICER MAY BE USED AT THE INTERFACE BETWEEN DECK SLAB AND SIDEWALK FOR ALL VERTICAL REBARS DOWELED INTO DECK SLAB WHILE MAINTAINING THE SAME REINFORCEMENT CONFIGURATION.

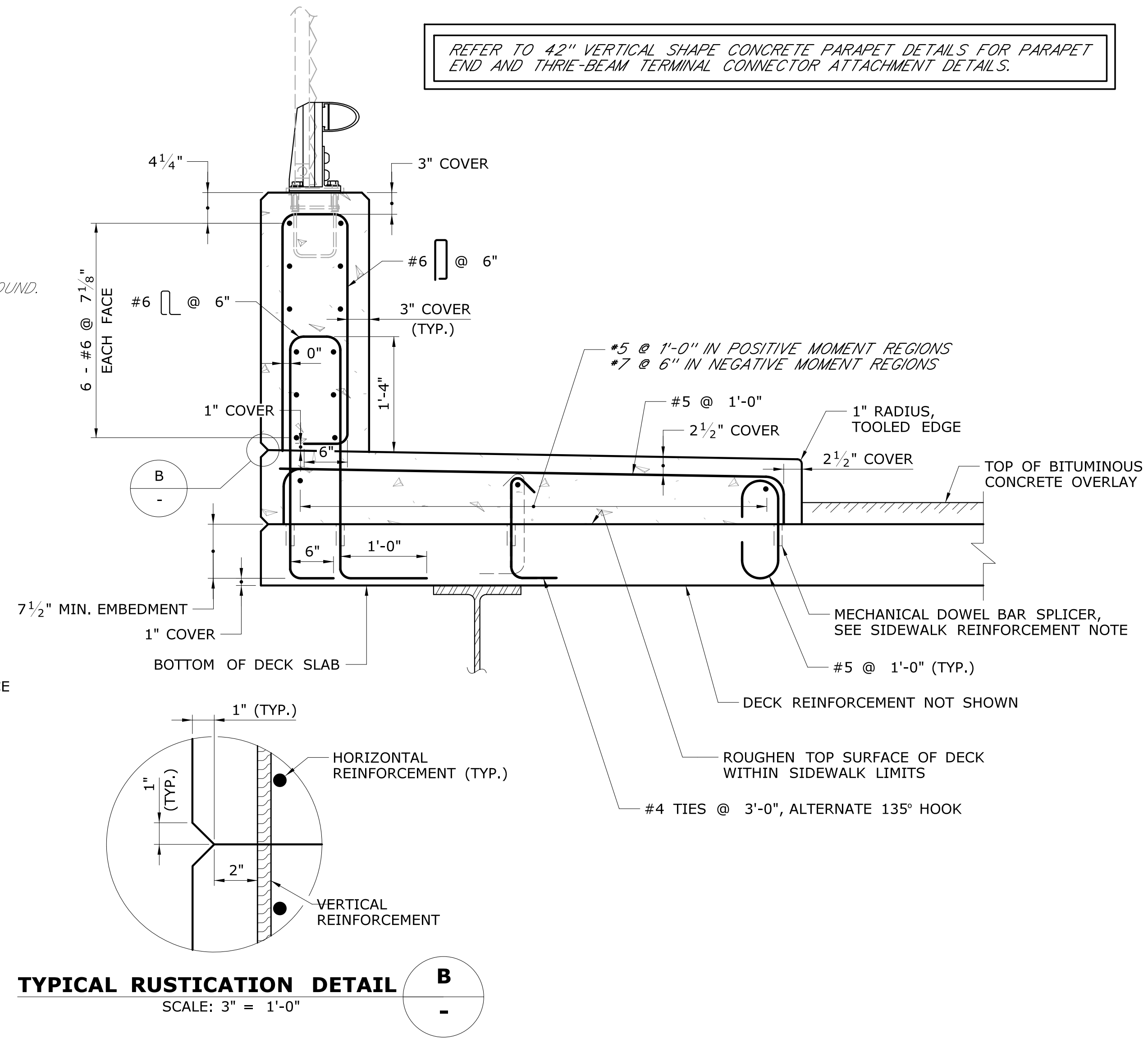
**REINFORCEMENT SPLICE NOTES:**

1. THE SPLICE LENGTH FOR THE REINFORCEMENT IN THE PARAPET AND SIDEWALK SHALL BE AS FOLLOWS UNLESS DIMENSIONED OTHERWISE:  

BAR SIZE	SPLICE LENGTH
#6	2'-6"
2. THE SPLICES SHALL BE ALTERNATED SO THAT 50% OR LESS OF THE LONGITUDINAL BARS ARE SPLICED AT THE SAME LOCATION.

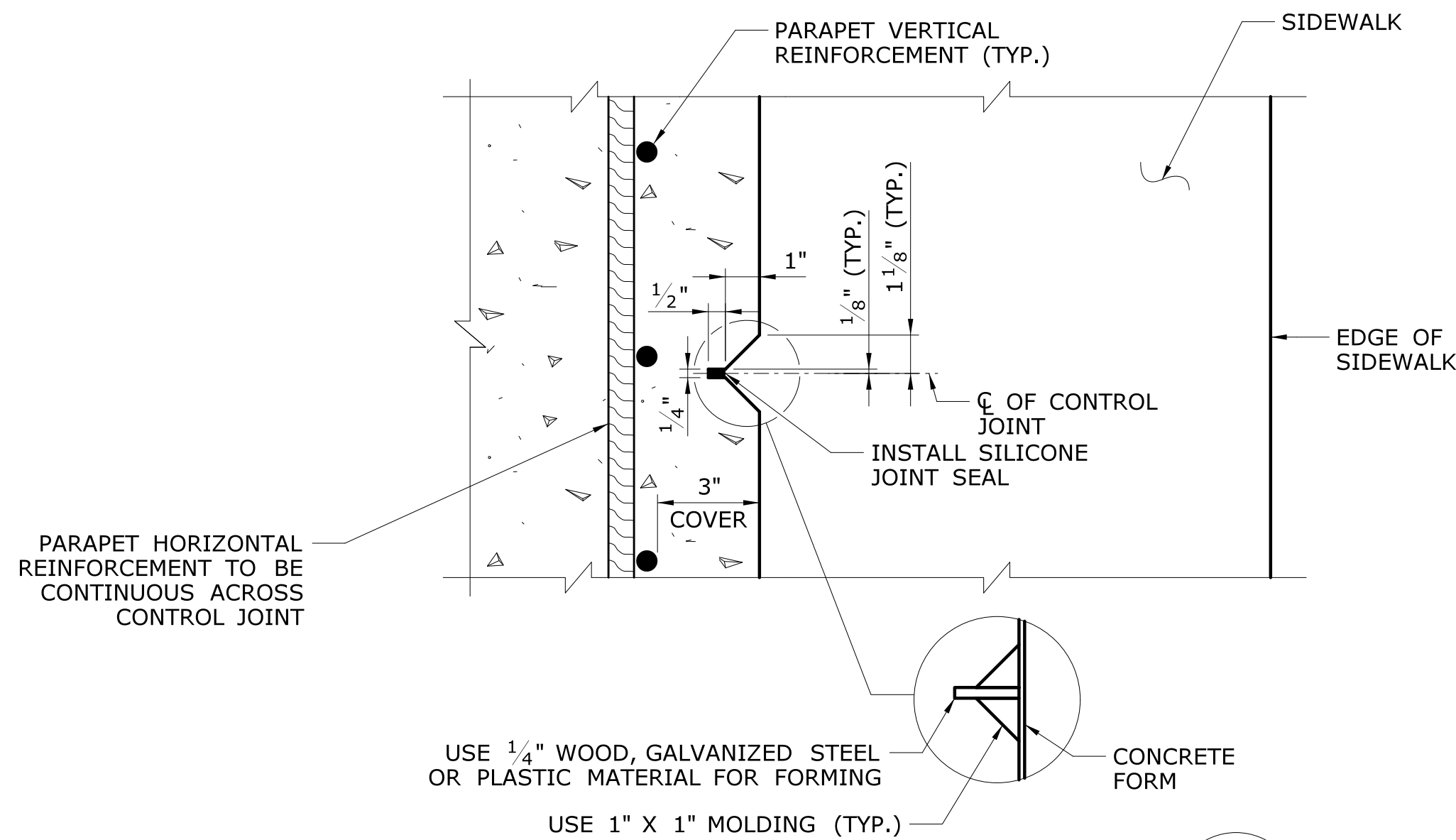
**TYPICAL RUSTICATION DETAIL**

SCALE: 3" = 1'-0"



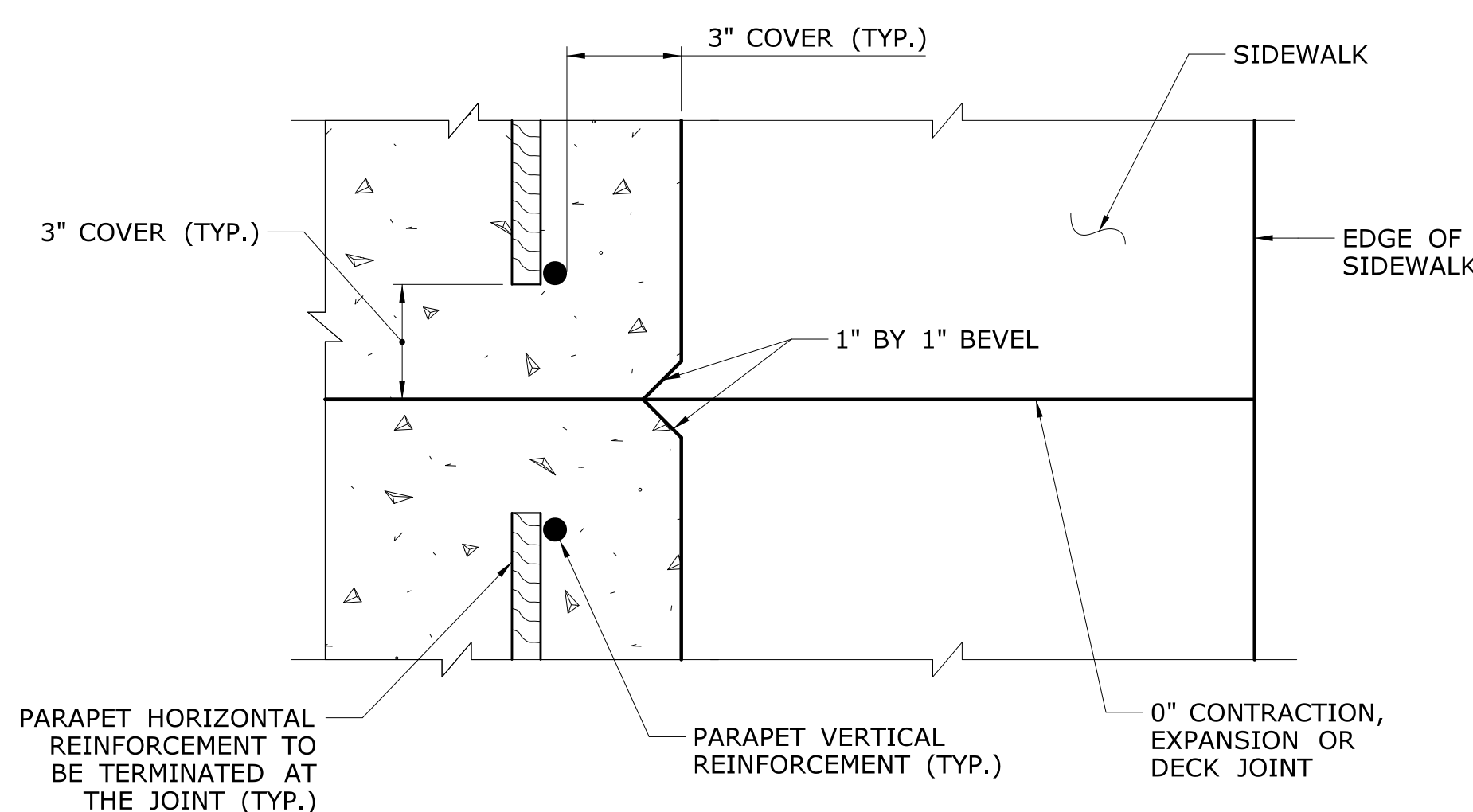
**PARAPET JOINT NOTES:**

1. EXPANSION/CONTRACTION JOINT(S) SHALL BE PLACED IN PARAPET AS NEEDED MATCHING THE LOCATION AND TYPE OF JOINT IN SIDEWALK.
2. ALL JOINT LOCATIONS SHALL BE SHOWN ON CONSTRUCTION PLANS.
3. CONTROL JOINT SPACING SHALL NOT EXCEED 5'-0" C/V.C.
4. DESIGNER SHALL INCLUDE JOINT DETAILS IN CONSTRUCTION PLANS.



**PLAN SECTION - CONTROL JOINT DETAIL**

SCALE: N.T.S.



**PLAN SECTION - PARAPET JOINT DETAIL**

SCALE: N.T.S.

THE INFORMATION, INCLUDING ESTIMATED QUANTITIES OF WORK, SHOWN ON THESE SHEETS IS BASED ON LIMITED INVESTIGATIONS BY THE STATE AND IS IN NO WAY WARRANTED TO INDICATE THE CONDITIONS OF ACTUAL QUANTITIES OF WORK WHICH WILL BE REQUIRED.		DESIGNER/DRAFTER: CHECKED BY: SCALE AS NOTED	<b>STATE OF CONNECTICUT</b> <b>DEPARTMENT OF TRANSPORTATION</b>	SIGNATURE/BLOCK: <b>OFFICE OF ENGINEERING</b> APPROVED BY:	PROJECT TITLE:	TOWN:	PROJECT NO.:
REV. DATE REVISION DESCRIPTION SHEET NO. Plotted Date: 12/31/2019	FILENAME: ...Vertical Shape Parapet at Sidewalk - Details.dgn		<b>VERTICAL SHAPE PARAPET AT SIDEWALK - DETAILS</b>		DRAWING NO.:	SHEET NO.:	1 OF 1