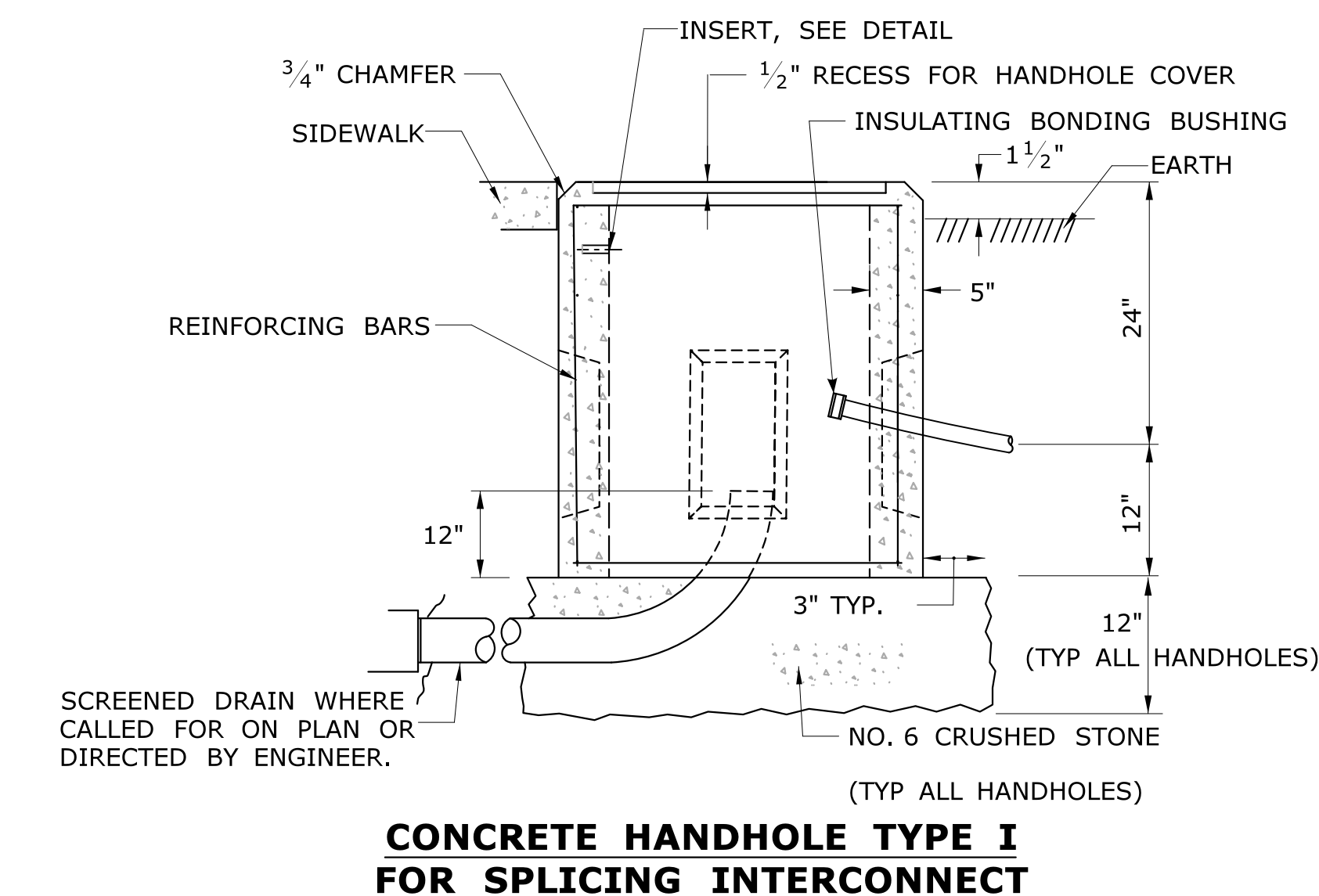
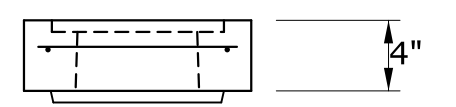
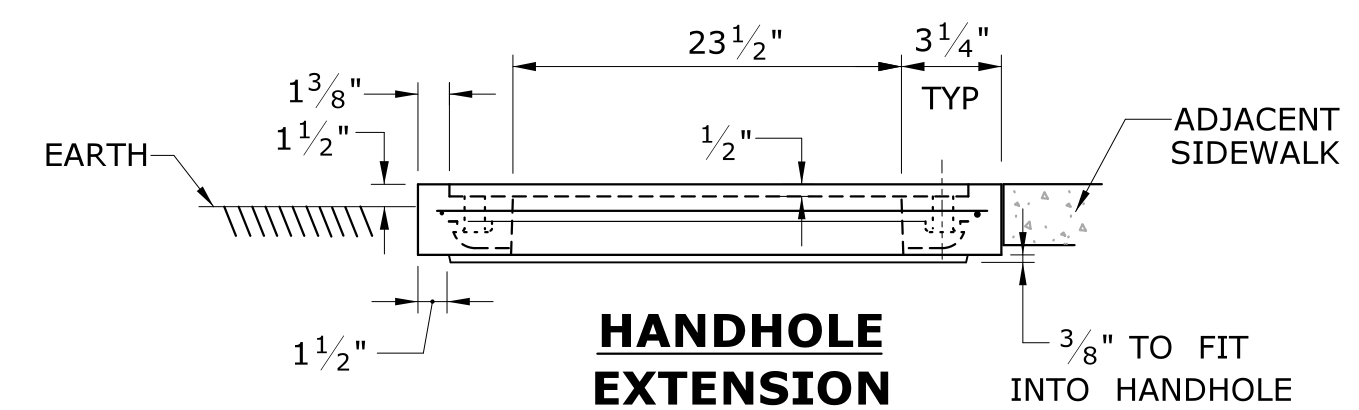
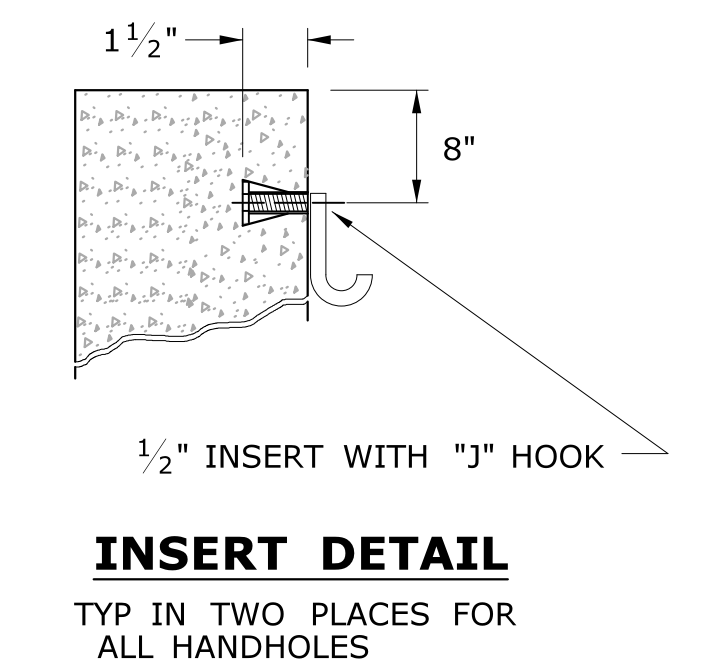
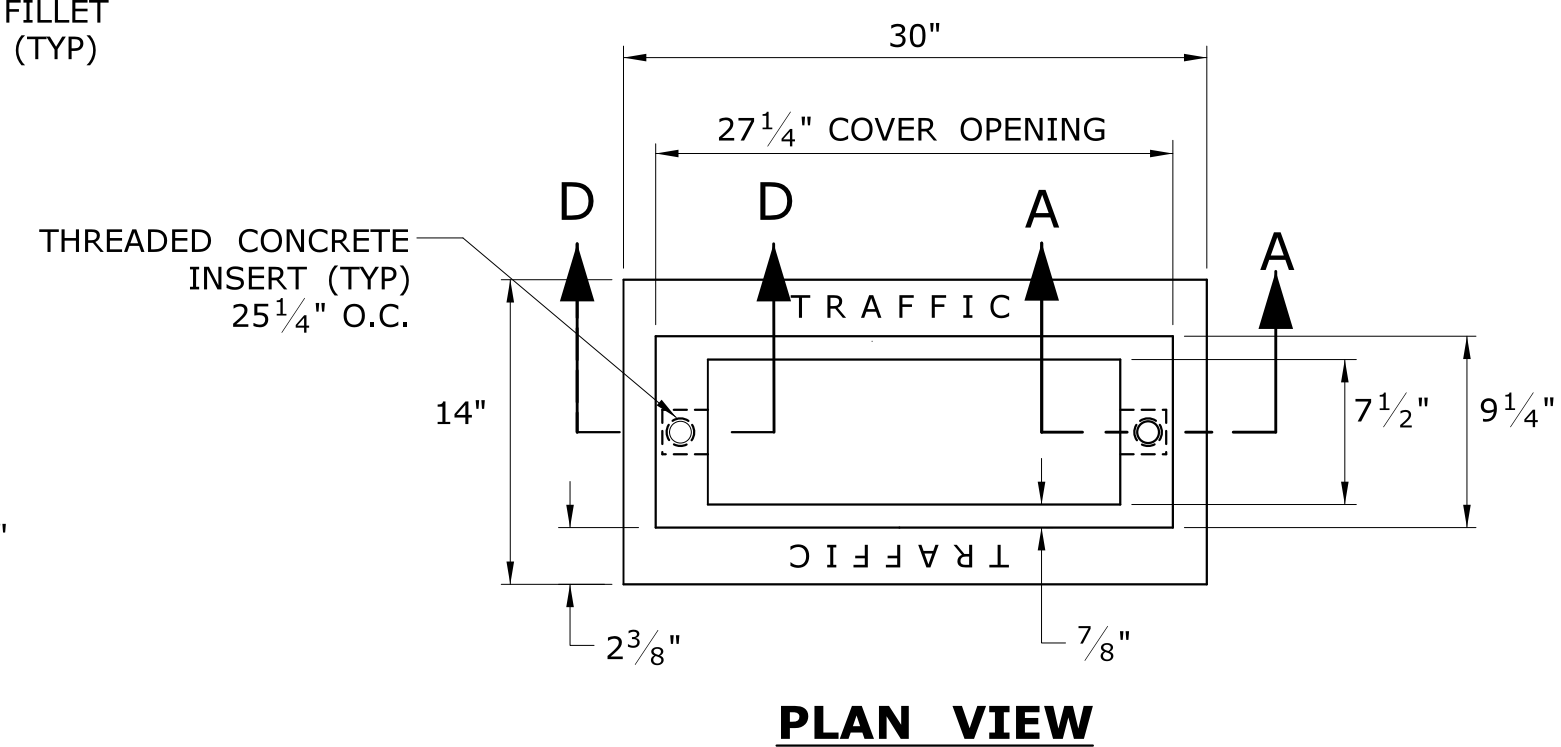
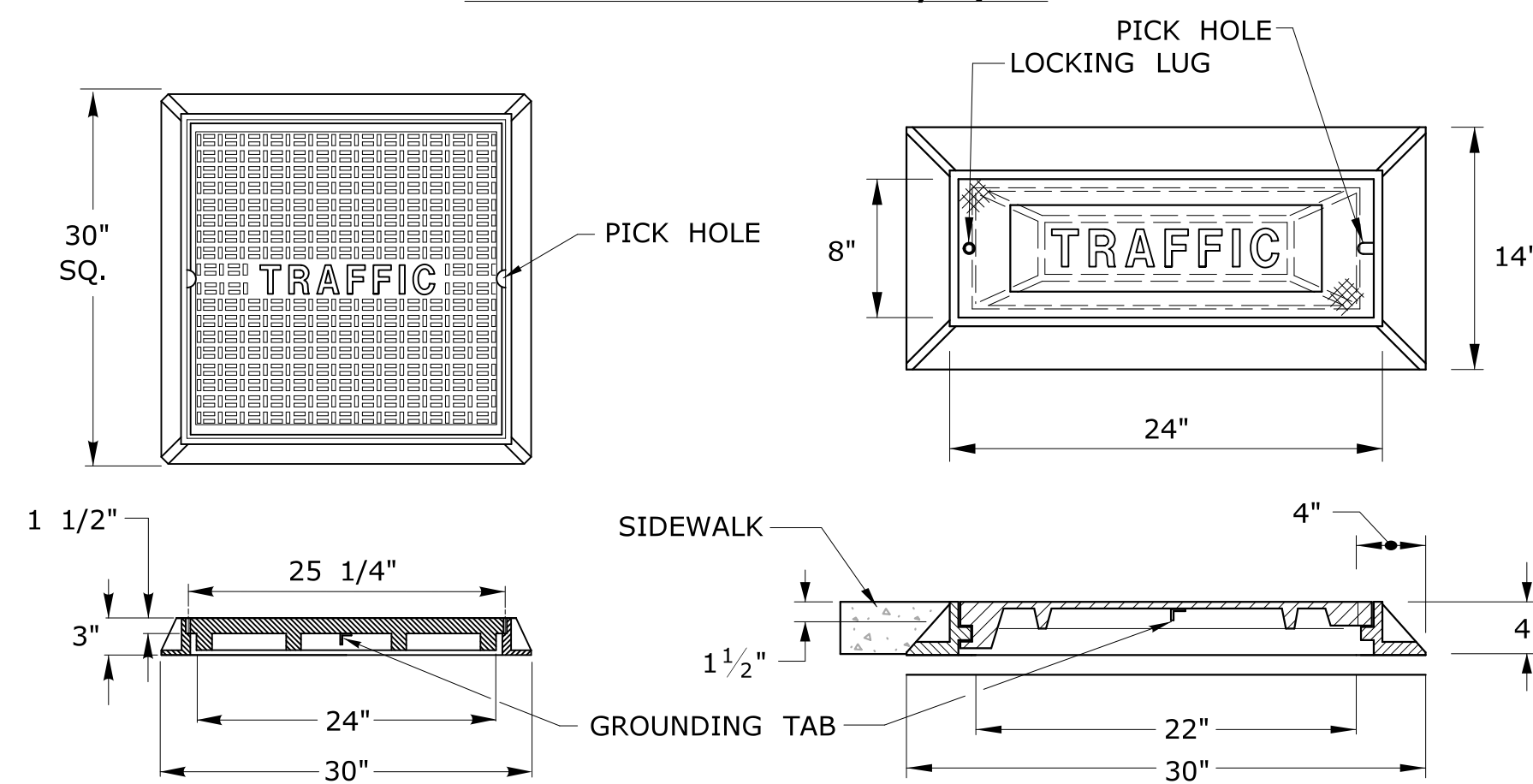
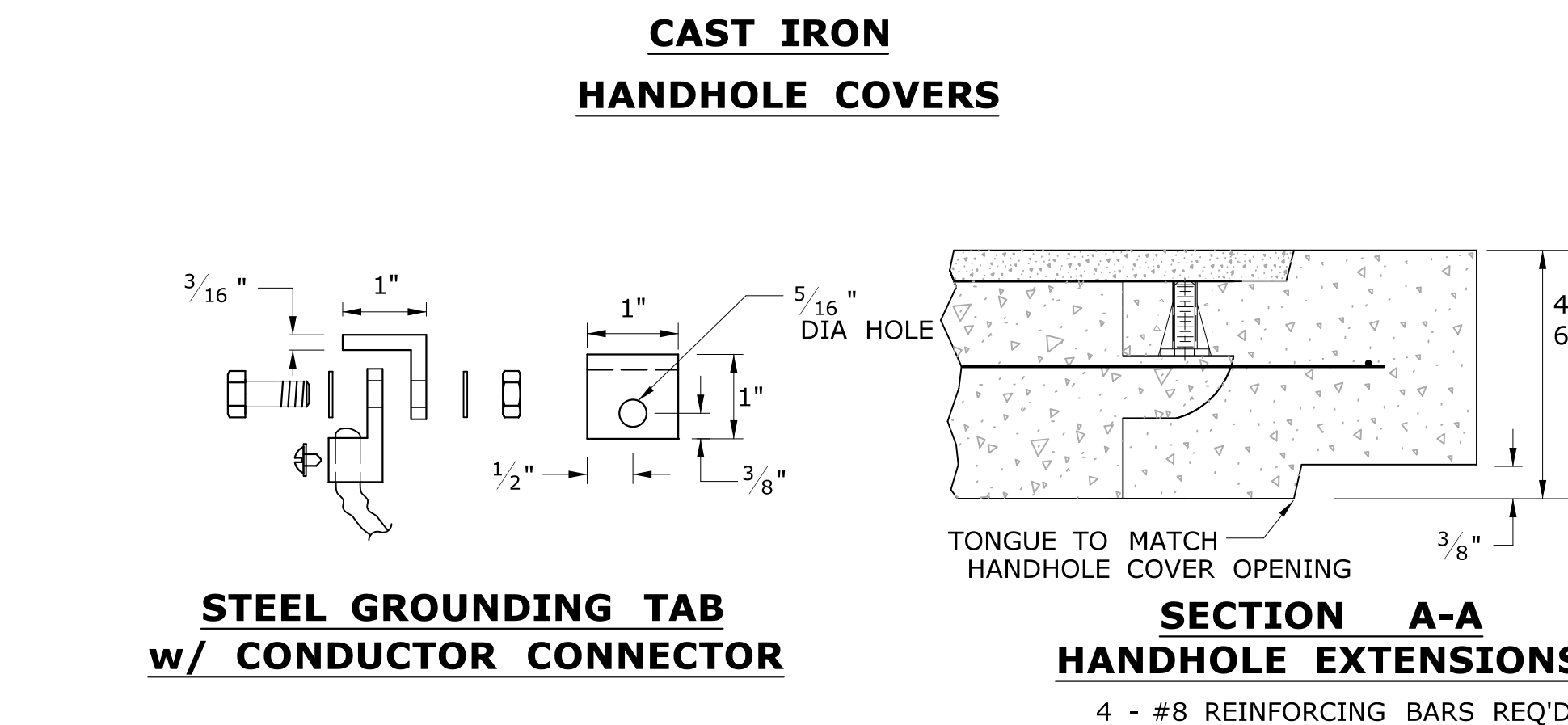


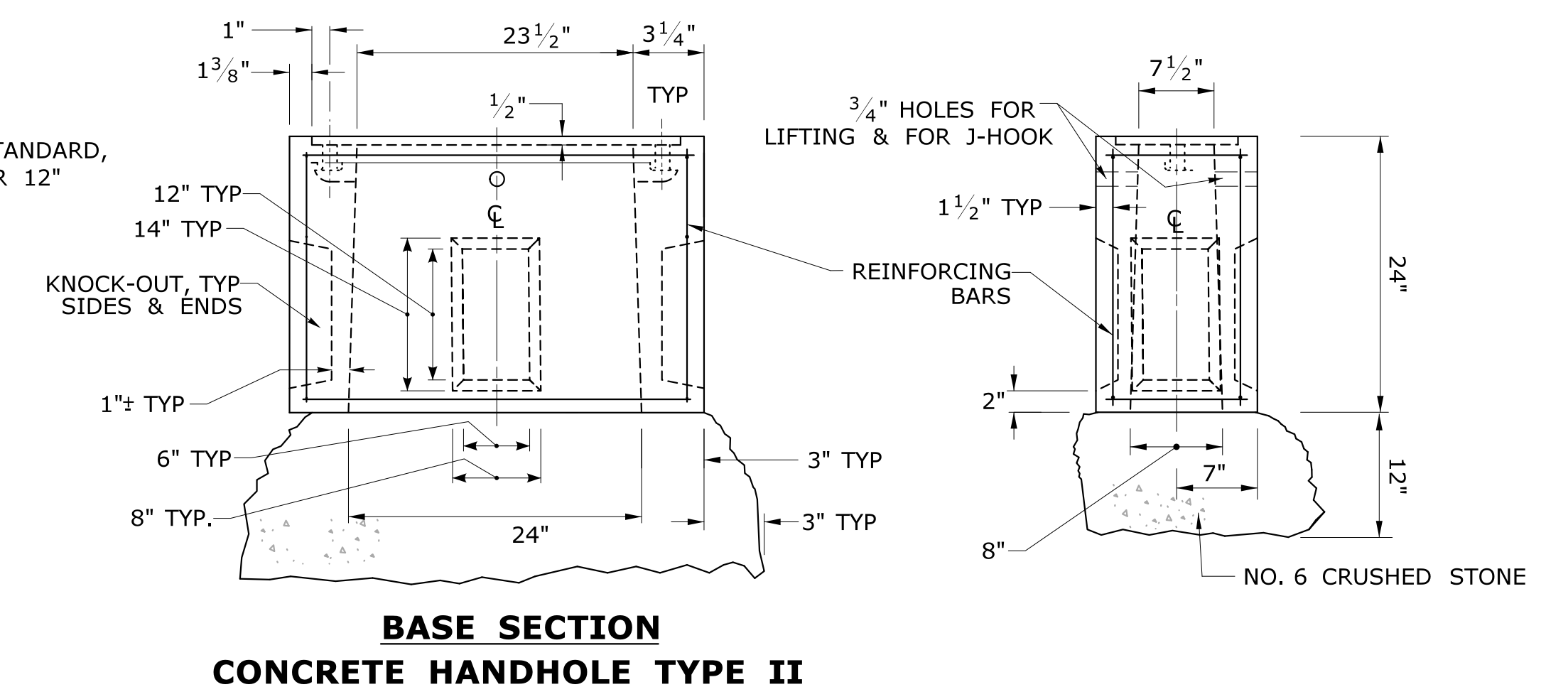
NON SKID FLOOR PLATE GALVANIZED STEEL, 3/8"



CAST IRON HANDHOLE COVERS



STEEL GROUNDING TAB w/ CONDUCTOR CONNECTOR



COVER NOTES:

- GROUNDING TAB WELDED TO BOTTOM CENTER OF COVER WITH 3/16" WELD (3 SIDES).
- ATTACH 6' LENGTH OF NO. 8 GROUND WIRE TO GROUNDING TAB WITH CONDUCTOR CONNECTOR, 1/4" - 20 X 3/4" LG SST HEX HEAD BOLT, AND SST FLAT WASHER. ATTACH FREE END OF GROUND WIRE TO CONDUIT BONDING BUSHING IN HANDHOLE.
- CONDUCTOR CONNECTOR: COPPER ALLOY BODY, BRASS SCREW, BRASS OR COPPER ALLOY PRESSURE PLATE.
- COVER SCREW INSERT: 3/8"-16, 1 1/2"L, STAINLESS STEEL.
- COVER SCREW: 3/8"-16, 1"L, FLAT HEAD, SLOTTED, STAINLESS STEEL.

HANDHOLE NOTES:

- CONCRETE: (PRECAST) PRC04060 IN ACCORDANCE WITH ARTICLE M.14.01
- COMPLETE TYPE II HANDHOLE: IN EARTH AREAS, CONSISTS OF A BASE SECTION WITH 4" HANDHOLE EXTENSION, IN SIDEWALK AREAS, CONSISTS OF A BASE SECTION WITH 4" CAST IRON COVER.
- PLAN VIEW DIMENSIONS, SECTION VIEW, & DETAILS, SAME FOR BASE SECTION, EXTENSIONS & BANK ADAPTER.
- GROUT AROUND ALL CONDUITS.
- INSTALL 30" SIDE PARALLEL TO ROAD UNLESS OTHERWISE NOTED.
- INSTALL HANDHOLES APPROX. 12" BEHIND CURB OR IF NO CURB, 24" BEHIND EDGE OF ROAD UNLESS OTHERWISE SPECIFIED.
- CAST THE WORD "TRAFFIC" INTO TOP EDGE OF HANDHOLE, 1 1/2" LETTERS.
- WHERE AN EXISTING CONCRETE SIDEWALK SLAB ABUTTING A HANDHOLE IS DAMAGED OR CUT DURING INSTALLATION, REPLACE THE ENTIRE SIDEWALK SECTION.
- 12-#3 REINFORCING BARS REQUIRED FOR ALL HANDHOLES. (8 HORIZONTAL, 4 VERTICAL)

LEGEND AS SHOWN ON TRAFFIC CONTROL SIGNAL PLAN:
 PROPOSED HANDHOLE
 EXISTING HANDHOLE

3	2-2023	REVISED MINIMUM CONCRETE CLASS AND MINOR REVISIONS.		DESIGNER/DRAFTER:	<p>STATE OF CONNECTICUT DEPARTMENT OF TRANSPORTATION</p>	SIGNATURE/ BLOCK:	<p>OFFICE OF ENGINEERING</p>	PROJECT TITLE:	TOWN:	PROJECT NO.
2	4-2014	REVISED HANDHOLES NOTES, ADDED NOTE #6 ADDED "J" HOOK TO INSERT DETAIL		CHECKED BY:		APPROVED BY:		DRAWING TITLE:	DRAWING NO.	
1	7-2021	CAST IRON COVER: CHANGED BOLT TO PICK HOLE. ADDED EXTENSIONS, C-CHANNEL, CONDUCTOR CONNECTOR & MINOR REVISIONS		NOT TO SCALE	Plotted Date: 7/19/2023	Filename: ...STD_SHTS\Latest\GS-1010_01.DGN				SHEET NO.
REV.	DATE	REVISION DESCRIPTION	SHEET NO.							